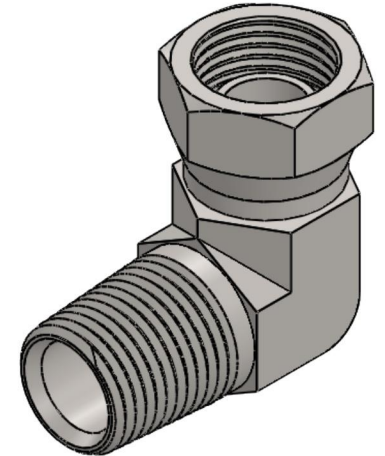
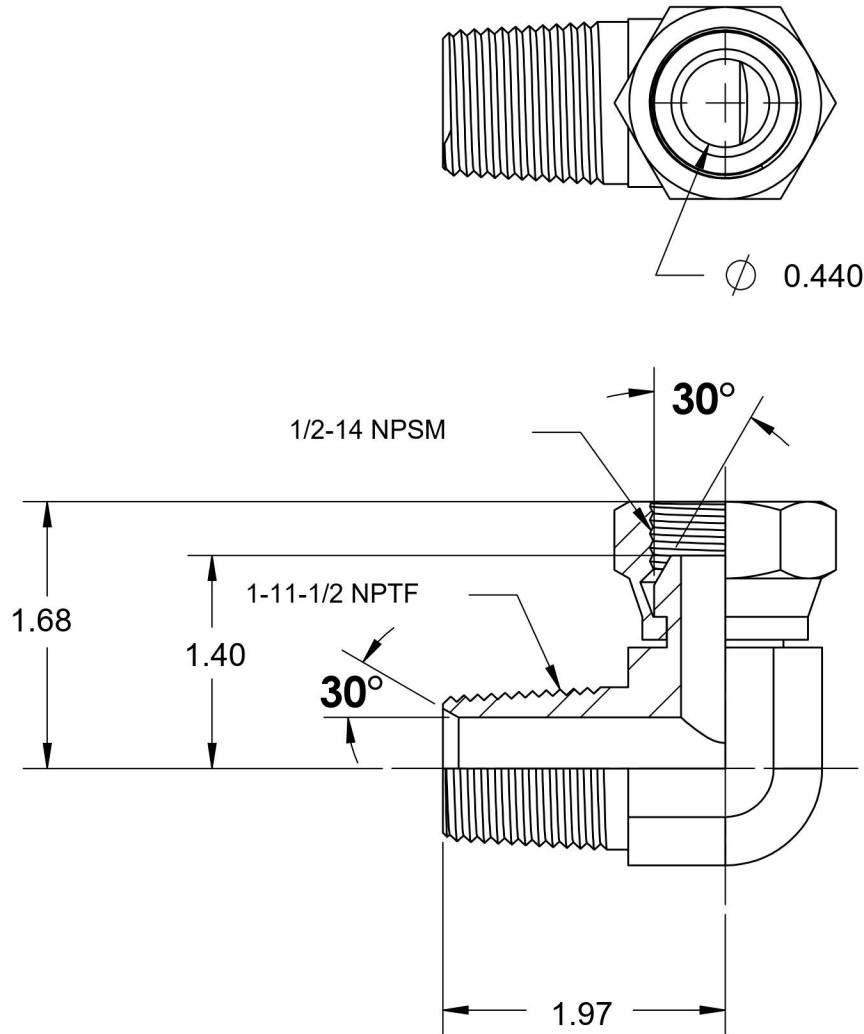
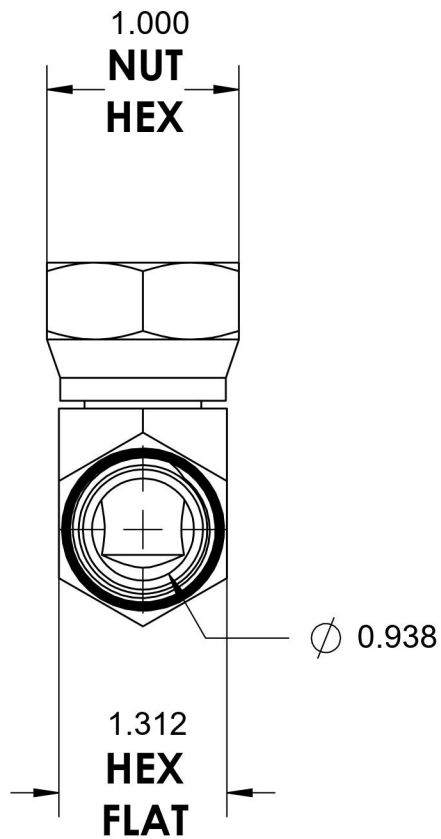


# 1501-16-08-FG

Steel, SAE J514 NPSM Swivel 90° Male Elbow, 1" Male NPTF 30° x 1/2" Female NPSM Swivel



6701 Cochran Road  
Solon, Ohio 44139  
Phone: (440) 248-1880  
Toll Free: 1-888-331-1523

**Temperature Rating**

-65°F to 500°F

**Material**

C1045 Steel

**Industry Standards**

SAE J514, SAE J476  
ASTM B633

**Series**

1501-FG

**Pressure Rating**

3000 psi

**Finish**

Trivalent Zinc

**Series Description**

SAE J514 NPSM Swivel  
90° Male Elbow