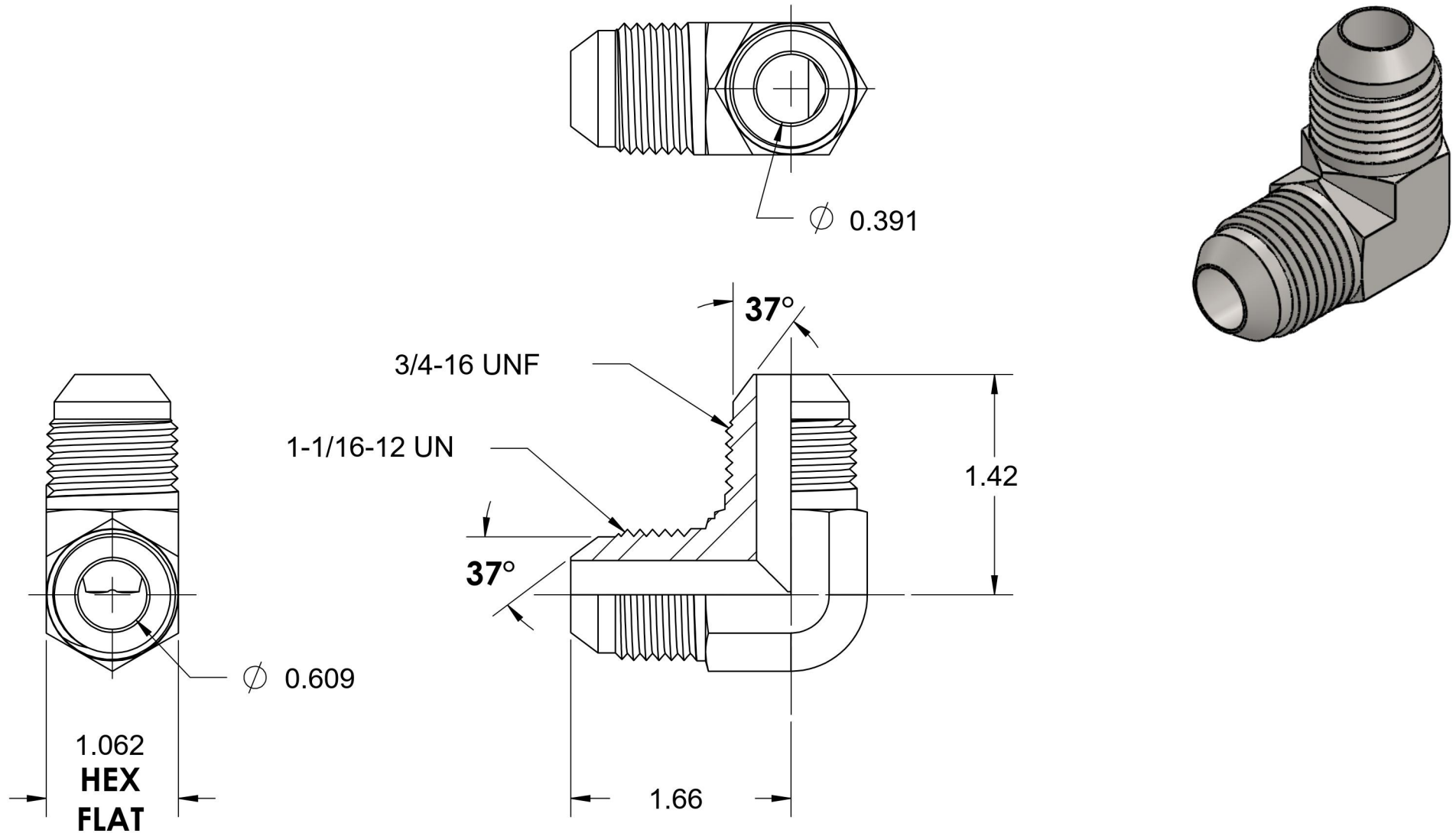


2500-12-08-SS

Stainless Steel, SAE J514 37° Flare 90° Union Elbow, 3/4" Male JIC x 1/2" Male JIC



6701 Cochran Road
Solon, Ohio 44139
Phone: (440) 248-1880
Toll Free: 1-888-331-1523

Temperature Rating	Material	Industry Standards SAE J514	Series 2500-SS
-425°F to 1200°F	316/316L Stainless Steel		
Pressure Rating	Finish	Series Description	
5000 psi	Passivated	SAE J514 37° Flare 90° Union Elbow	