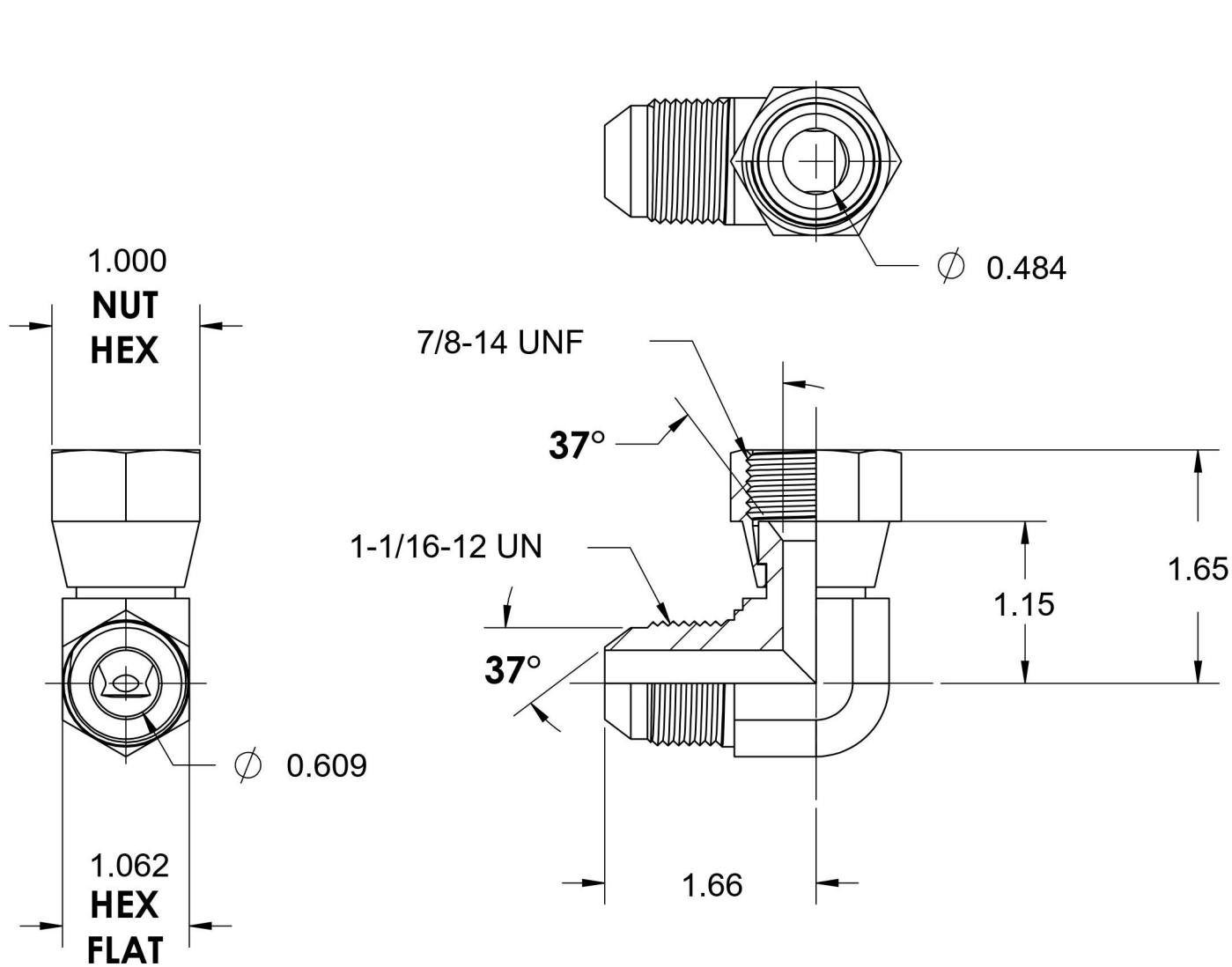


6500-12-10-FG

Steel, SAE J514 37° Flare 90° Swivel Elbow, 3/4" Male JIC x 5/8" Female JIC Swivel



6701 Cochran Road
Solon, Ohio 44139
Phone: (440) 248-1880
Toll Free: 1-888-331-1523

| | | | |
|---|---------------------------------|--|---|
| Temperature Rating -65°F to 500°F | Material C1045 Steel | Industry Standards SAE J514, ASTM B633 | Series 6500-FG |
| Pressure Rating 5000 psi | Finish Trivalent Zinc | | Series Description SAE J514 37° Flare 90° Swivel Elbow |