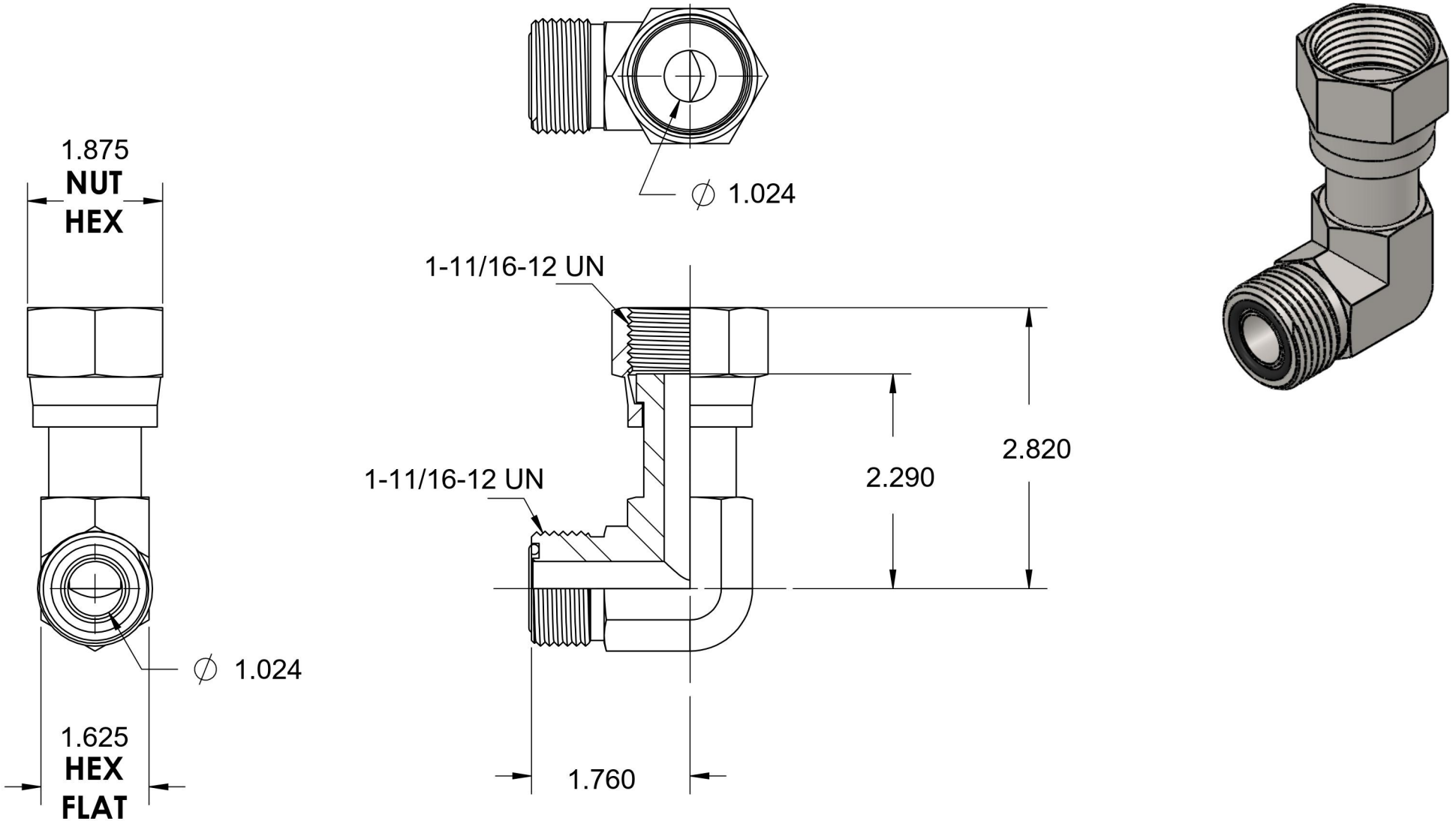


# FS6500-20-20-FG

Steel, SAE J1453 O-Ring Face Seal 90° Swivel Elbow, 1-1/4" Male ORFS x 1-1/4" Female ORFS Swivel



6701 Cochran Road  
Solon, Ohio 44139  
Phone: (440) 248-1880  
Toll Free: 1-888-331-1523

|                           |                 |                                  |  |
|---------------------------|-----------------|----------------------------------|--|
| <b>Temperature Rating</b> | <b>Material</b> | <b>Industry Standards</b>        | <b>Series</b>                                  |
| -40°F to 250°F            | C1045 Steel     | SAE J1453, SAE J515<br>ASTM B633 | FS6500-FG                                      |
| <b>Pressure Rating</b>    | <b>Finish</b>   |                                  | <b>Series Description</b>                      |
| 5000 psi                  | Trivalent Zinc  |                                  | SAE J1453 O-Ring Face Seal<br>90° Swivel Elbow |