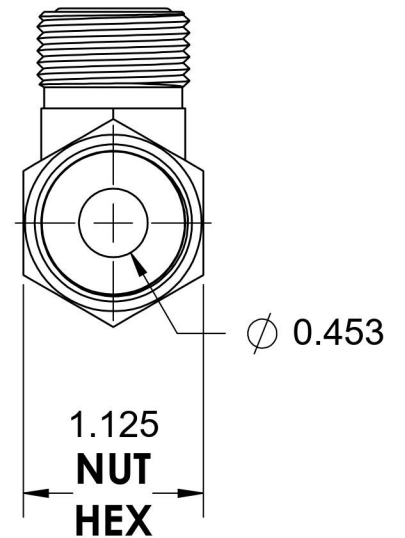
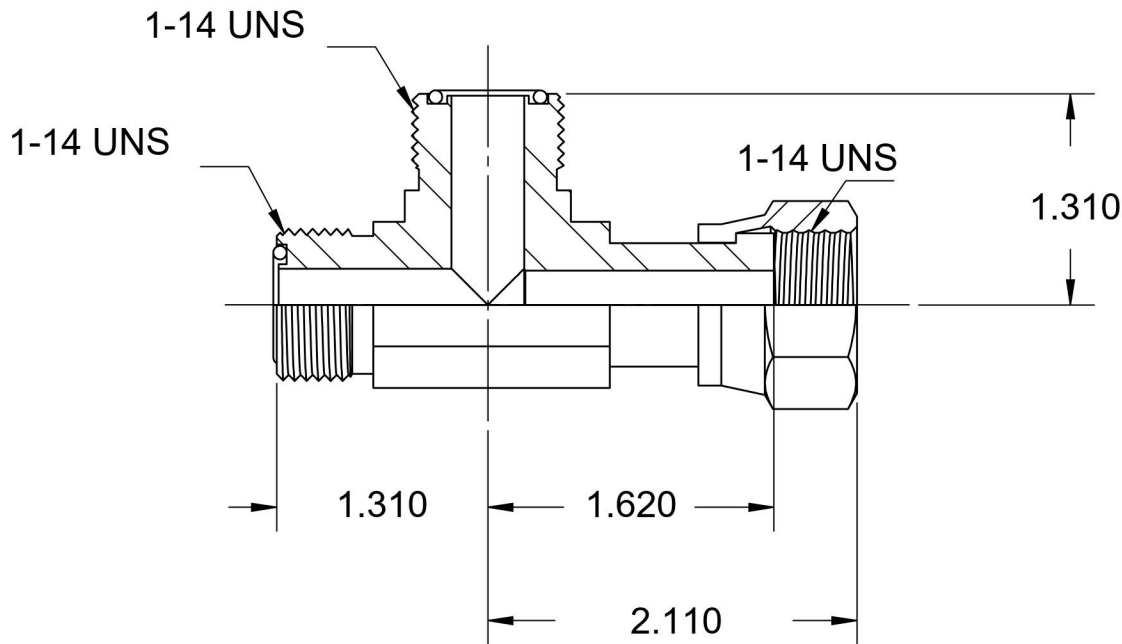
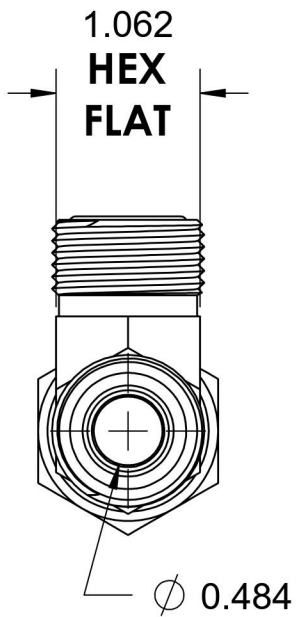
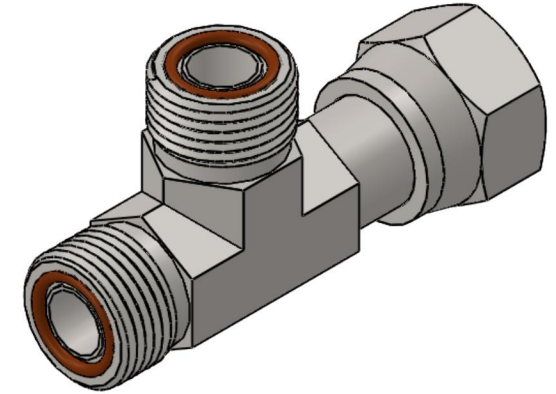
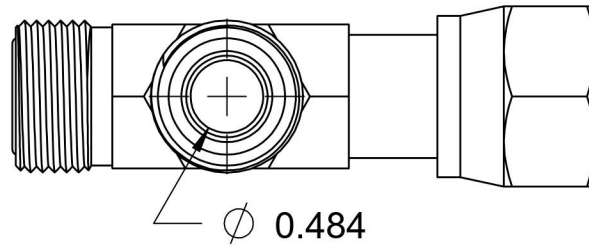


# FS6602-10-10-10-FG-VITON

Steel, SAE J1453 O-Ring Face Seal Swivel Run Tee, 5/8" Male ORFS x 5/8" Female ORFS Swivel, FKM Seal



6701 Cochran Road  
Solon, Ohio 44139  
Phone: (440) 248-1880  
Toll Free: 1-888-331-1523

**Temperature Rating**

-15°F to 400°F

**Pressure Rating**

6000 psi

**Material**

C1045 Steel

**Finish**

Trivalent Zinc

**Industry Standards**

SAE J1453, SAE J515  
ASTM B633

**Series**

FS6602-FG-VITON

**Series Description**

SAE J1453 O-Ring Face Seal  
Swivel Run Tee