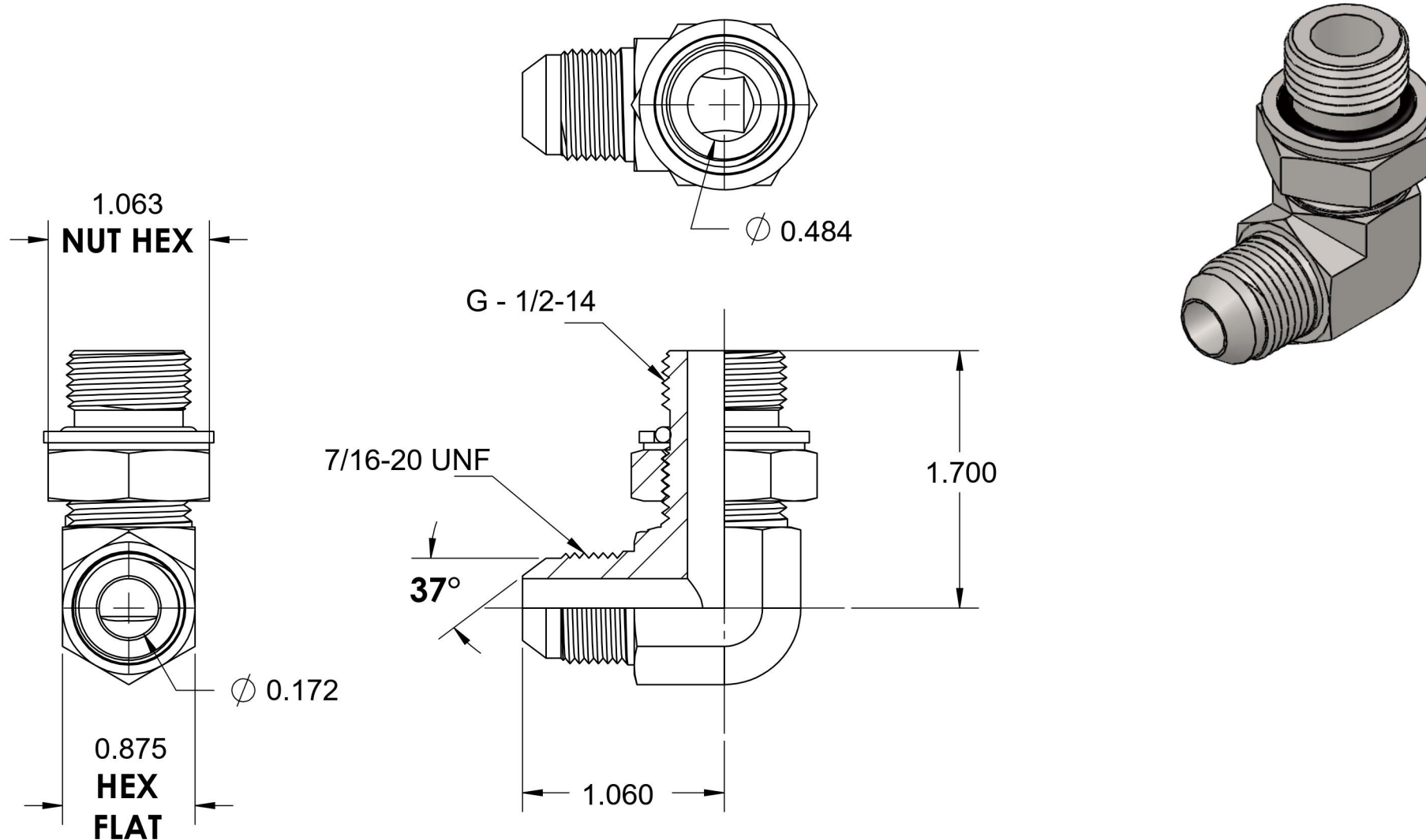


# 7202-04-08-NWO-SS

Stainless Steel, SAE J514 37° Flare Male BSPP Adjustable (Type H) Port 90° Elbow, 1/4" Male JIC x 1/2-14 Male BSPP Adjustable ORR



6701 Cochran Road  
Solon, Ohio 44139  
Phone: (440) 248-1880  
Toll Free: 1-888-331-1523

|                           |                          |                           |   |
|---------------------------|--------------------------|---------------------------|---|
| <b>Temperature Rating</b> | <b>Material</b>          | <b>Industry Standards</b> | <b>Series</b>   |
| -40°F to 250°F            | 316/316L Stainless Steel | SAE J514, ISO 1179        | 7202-NWO-SS-ORR   |
| <b>Pressure Rating</b>    | <b>Finish</b>            |                           | <b>Series Description</b>                                       |
| 3600 psi                  | Passivated               |                           | SAE J514 37° Flare Male BSPP Adjustable (Type H) Port 90° Elbow |