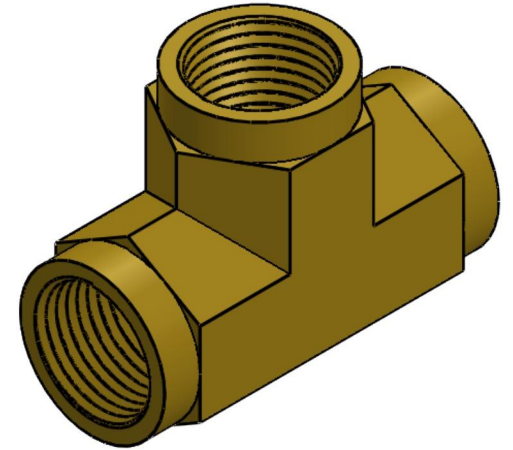
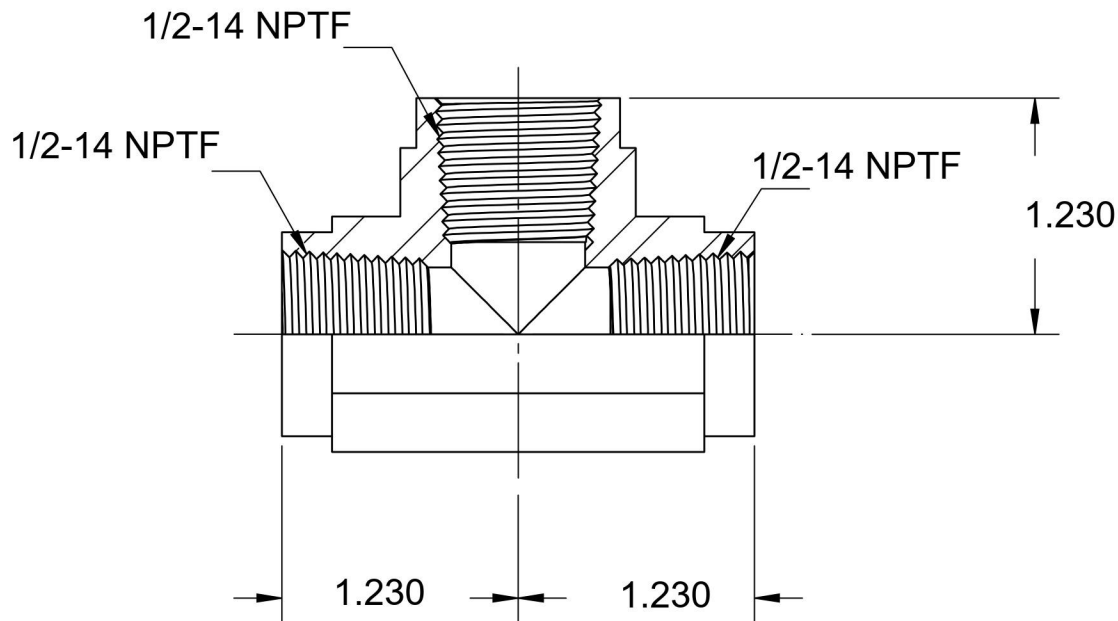
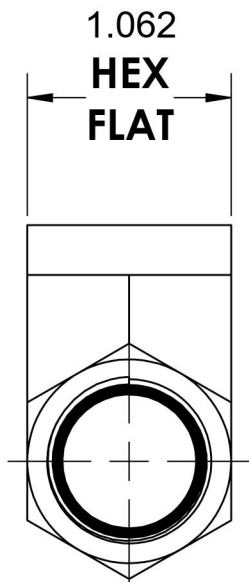


5605-08-08-08-B

Brass, SAE J514 Pipe Female Tee, 1/2" Female NPTF



6701 Cochran Road
Solon, Ohio 44139
Phone: (440) 248-1880
Toll Free: 1-888-331-1523

Temperature Rating

-325°F to 400°F

Pressure Rating

1900 psi

Material

CA37700 Brass

Finish

Natural Finish

Industry Standards

SAE J514, SAE J476

Series

5605-B

Series Description

SAE J514 Pipe Female Tee