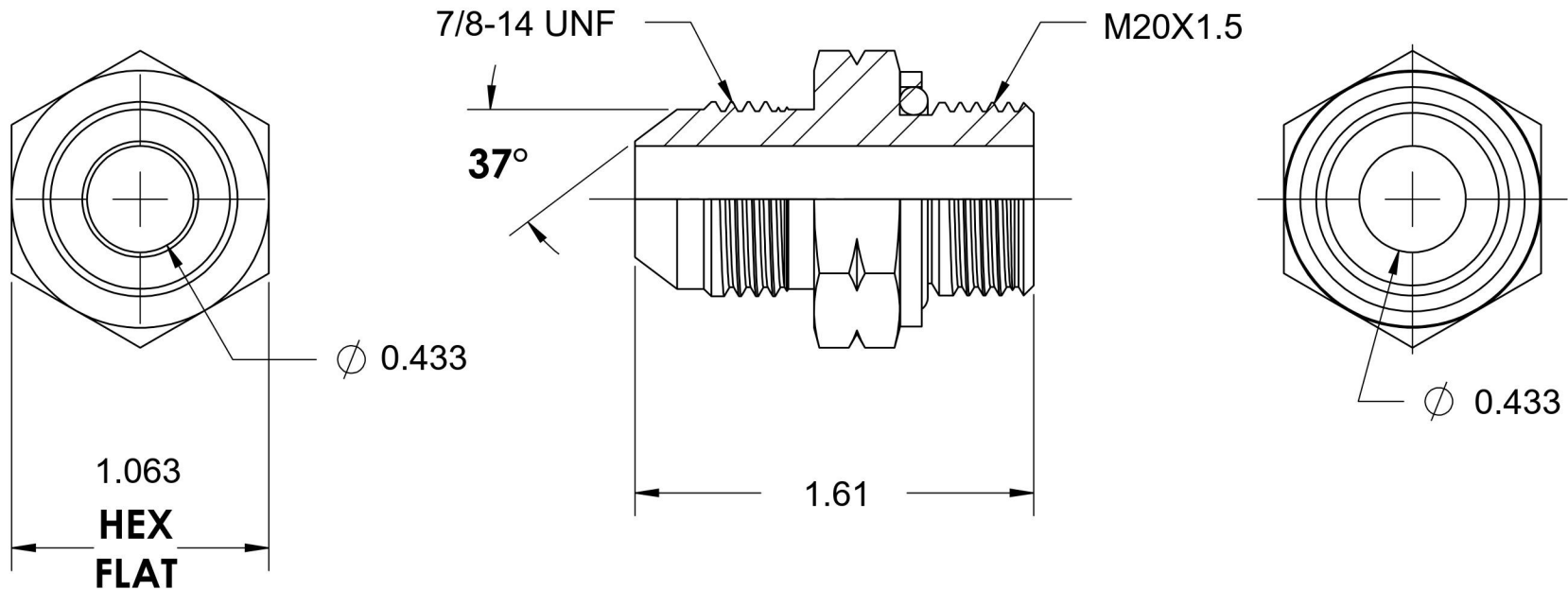


# 7001-10-20-SS

Stainless Steel, SAE J514 37° Flare Male Metric Type (G) Port Adapter, 5/8" Male JIC x M20X1.5 Male Metric ORR



6701 Cochran Road  
Solon, Ohio 44139  
Phone: (440) 248-1880  
Toll Free: 1-888-331-1523

**Temperature Rating**

-22°F to 257°F

**Pressure Rating**

3600 psi

**Material**

316/316L Stainless Steel

**Finish**

Passivated

**Industry Standards**

SAE J514, ISO 9974

**Series**

7001-ORR-SS

**Series Description**

SAE J514 37° Flare Male Metric Type (G) Port Adapter