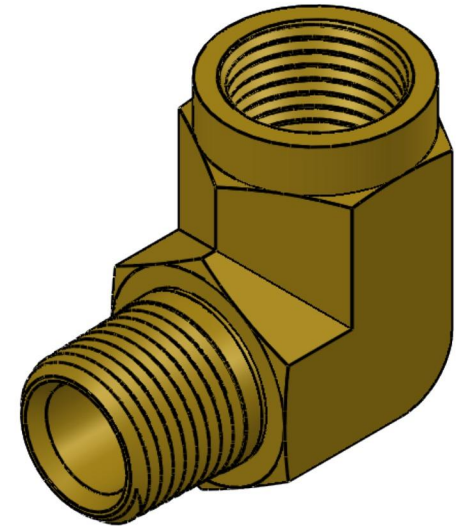
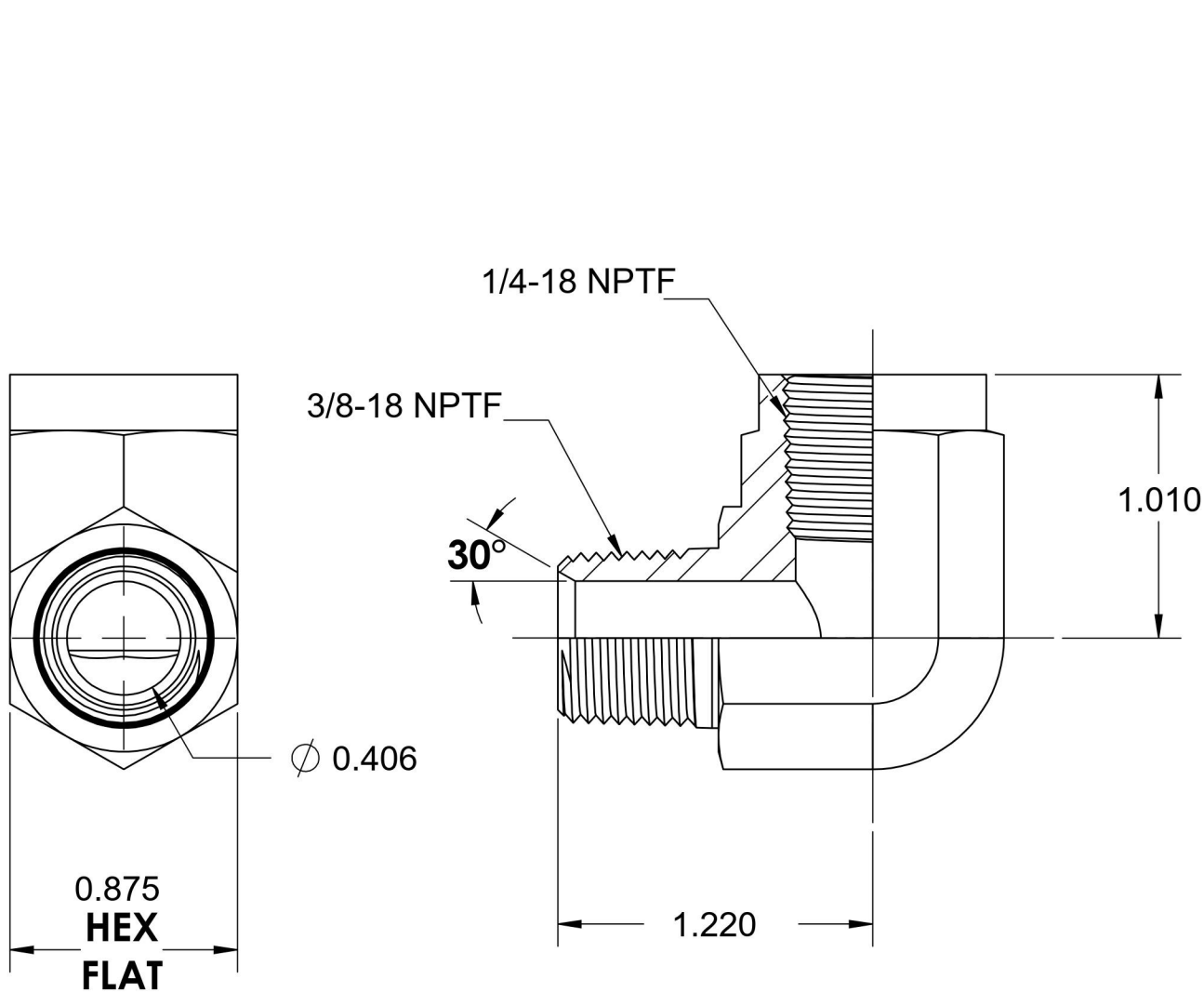


5502-06-04-B

Brass, SAE J514 Pipe 90° Street Elbow, 3/8" Male NPTF 30° x 1/4" Female NPTF



6701 Cochran Road
Solon, Ohio 44139
Phone: (440) 248-1880
Toll Free: 1-888-331-1523

| | | | |
|--|----------------------------------|--|---|
| Temperature Rating -325°F to 400°F | Material CA37700 Brass | Industry Standards SAE J514 , SAE J476 | Series 5502-B |
| Pressure Rating 3200 psi | Finish Natural Finish | | Series Description SAE J514 Pipe 90° Street Elbow |