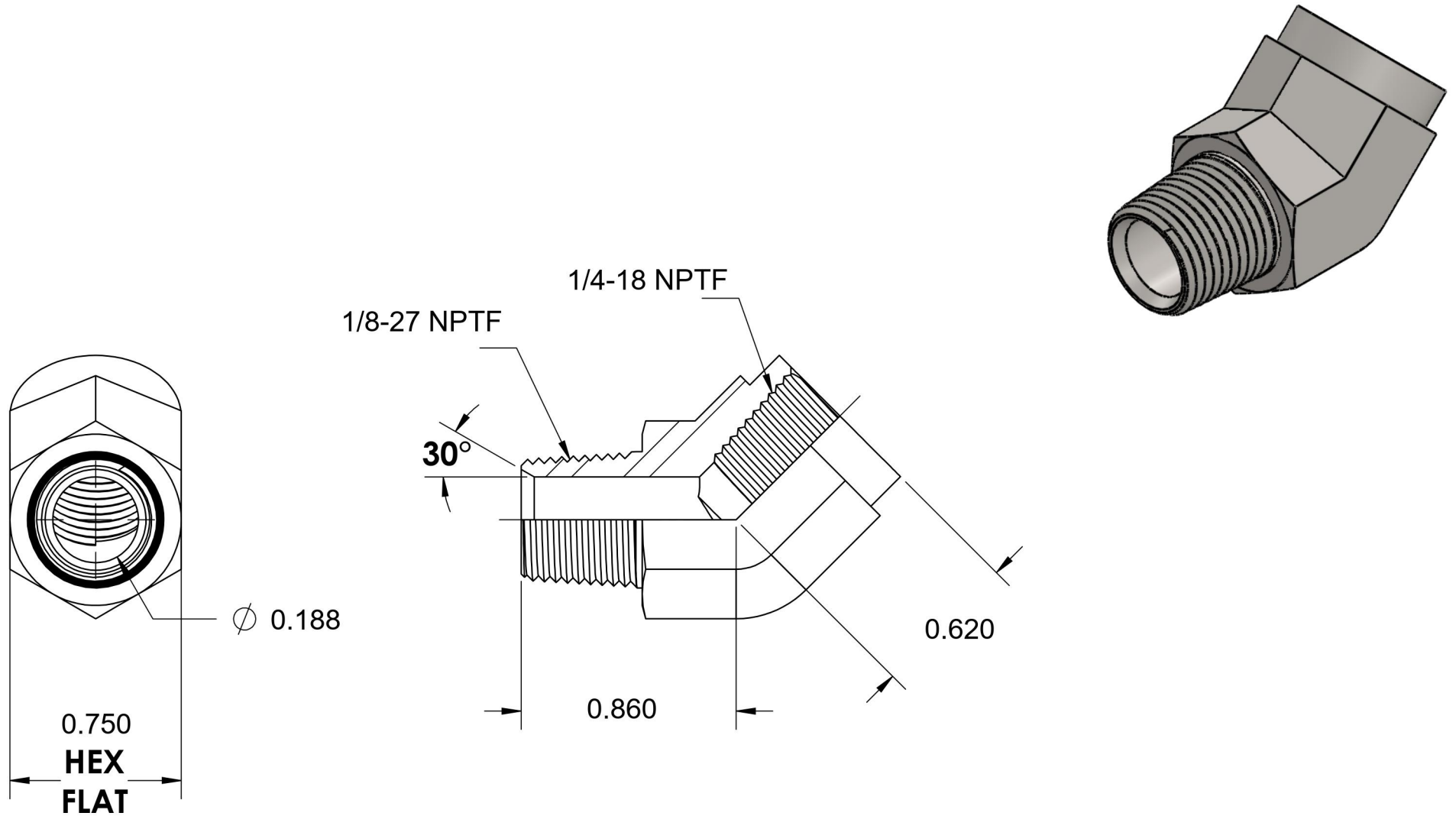


# 5503-02-04-FG

Steel, SAE J514 Pipe 45° Street Elbow, 1/8" Male NPTF 30° x 1/4" Female NPTF



6701 Cochran Road  
Solon, Ohio 44139  
Phone: (440) 248-1880  
Toll Free: 1-888-331-1523

#### Temperature Rating

-65°F to 500°F

#### Pressure Rating

5000 psi

#### Material

C1045 Steel

#### Finish

Trivalent Zinc

#### Industry Standards

SAE J514, SAE J476

#### Series

5503-FG

#### Series Description

SAE J514 Pipe 45° Street Elbow