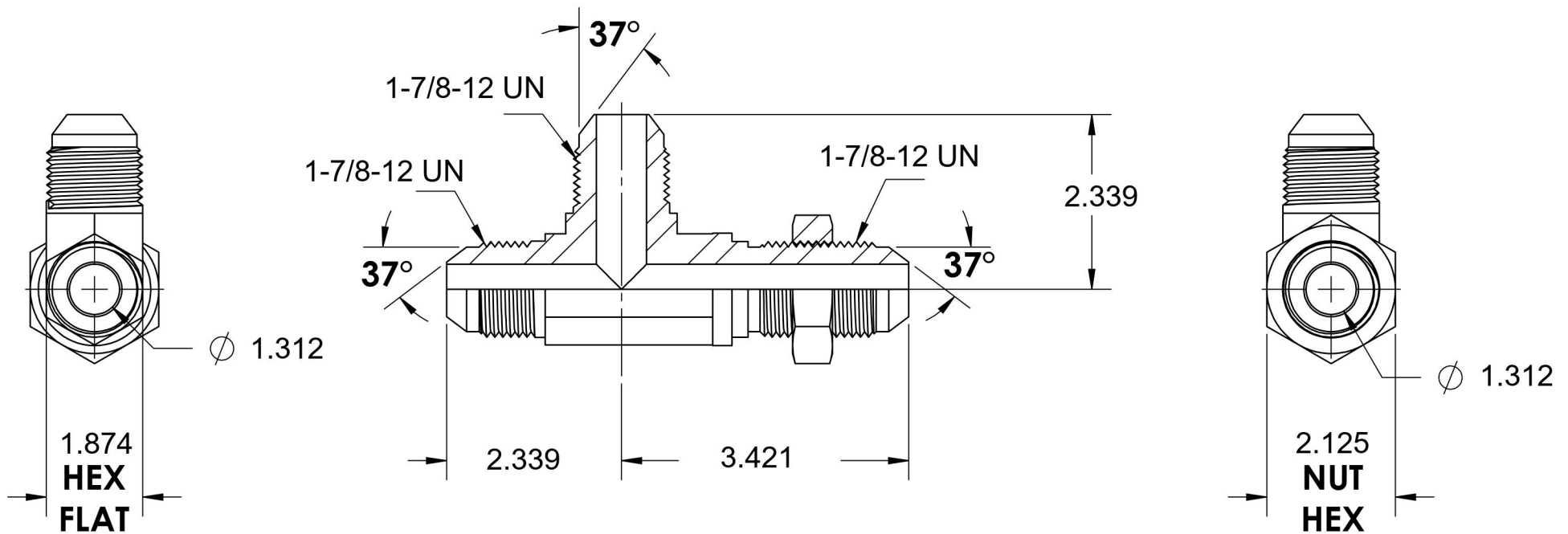
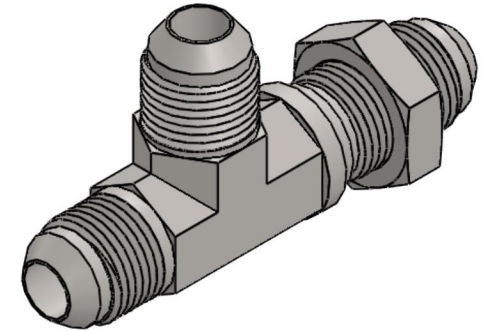
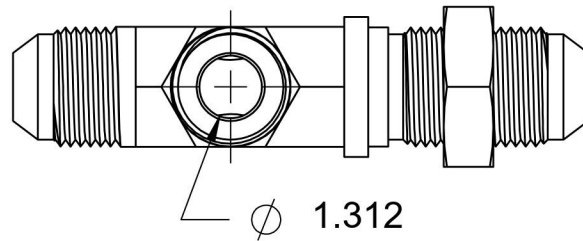


2704-LN-24-24-24-FG

Steel, SAE J514 37° Flare Bulkhead Run Tee With Lock Nut, 1-1/2" Male JIC



6701 Cochran Road
Solon, Ohio 44139
Phone: (440) 248-1880
Toll Free: 1-888-331-1523

Temperature Rating	Material	Industry Standards	Series
-65°F to 500°F	C1045 Steel	SAE J514, ASTM B633	2704-LN-FG
Pressure Rating	Finish		Series Description
3000psi	Trivalent Zinc		SAE J514 37° Flare Bulkhead Run Tee With Lock Nut