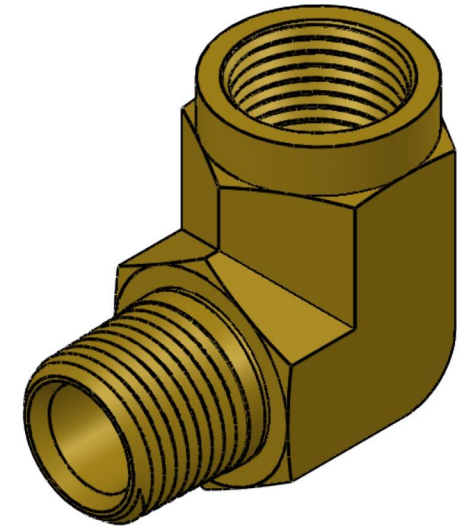
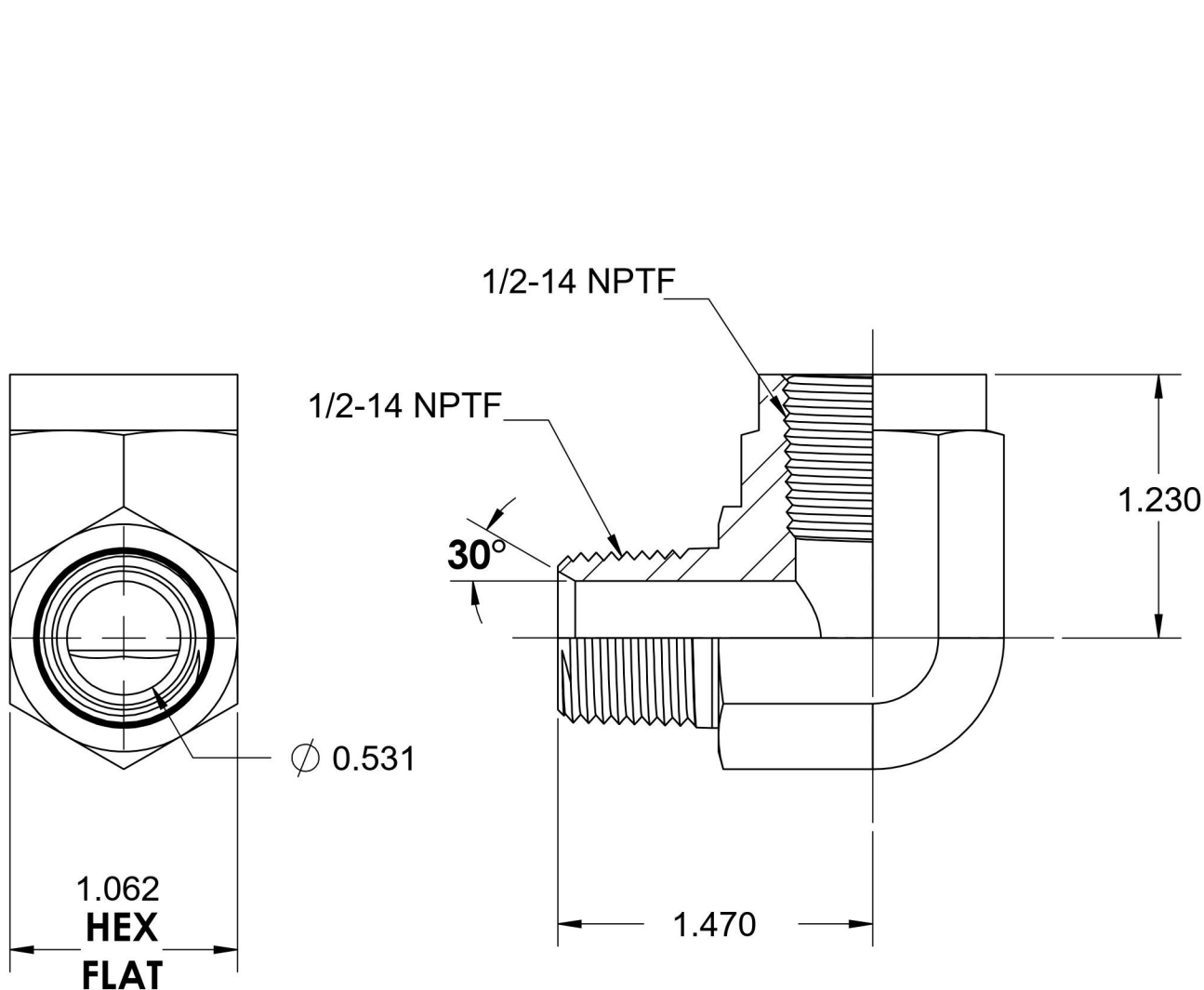


5502-08-08-FG-B

Brass, SAE J514 Pipe 90° Street Elbow, 1/2" Male NPTF 30° x 1/2" Female NPTF



6701 Cochran Road
Solon, Ohio 44139
Phone: (440) 248-1880
Toll Free: 1-888-331-1523

| | | | |
|---------------------------|-----------------|---------------------------|--------------------------------|
| Temperature Rating | Material | Industry Standards | Series |
| -325°F to 400°F | CA37700 Brass | SAE J514 , SAE J476 | 5502-B |
| Pressure Rating | Finish | | Series Description |
| 1900 psi | Natural Finish | | SAE J514 Pipe 90° Street Elbow |