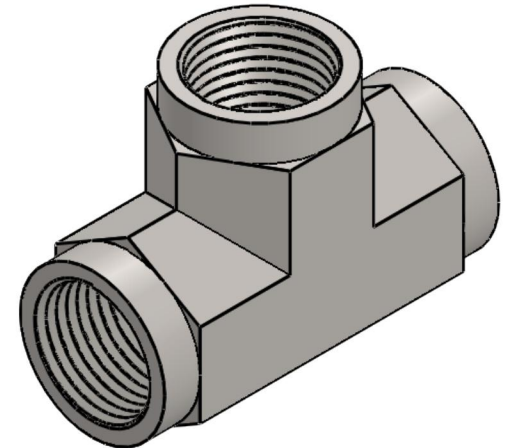
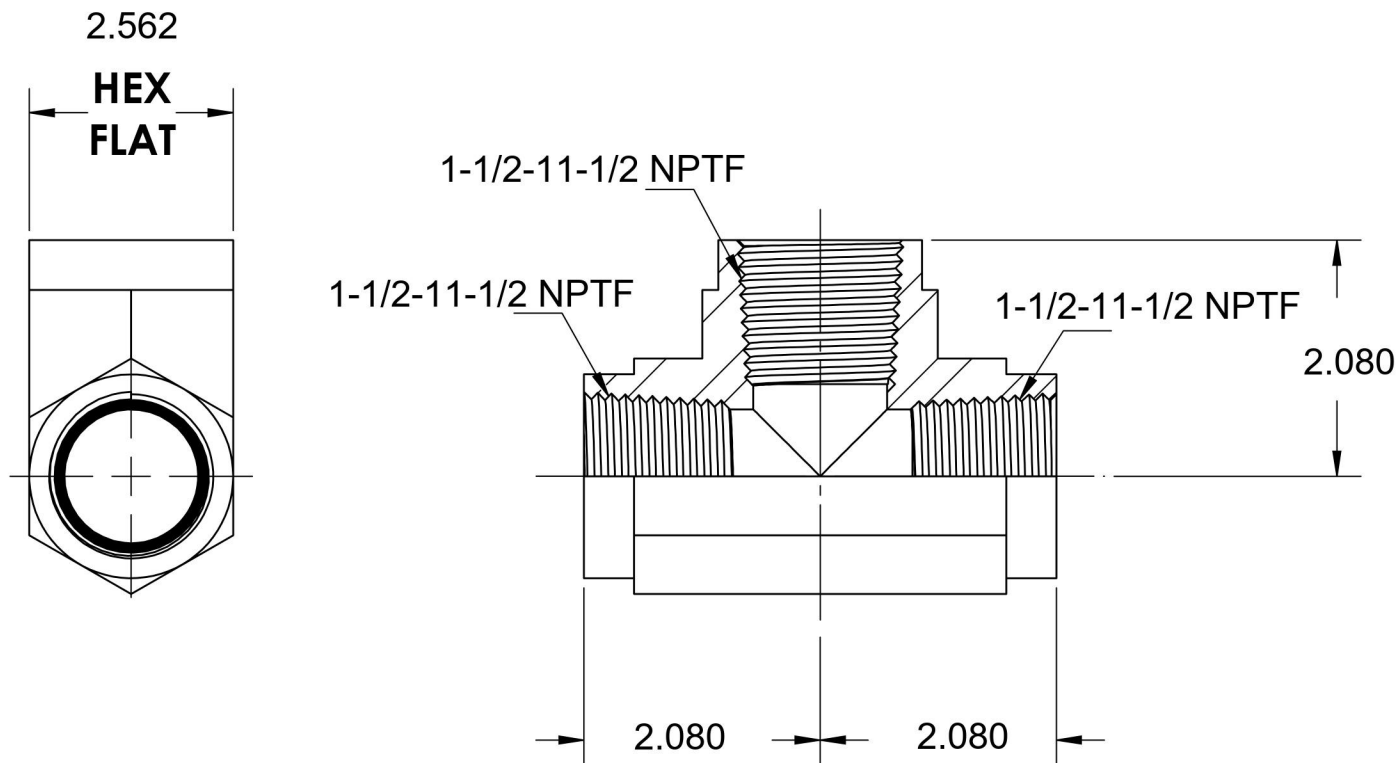


5605-24-24-24-SS

Stainless Steel, SAE J514 Pipe Female Tee, 1-1/2" Female NPTF



6701 Cochran Road
Solon, Ohio 44139
Phone: (440) 248-1880
Toll Free: 1-888-331-1523

Temperature Rating -425°F to 1200°F	Material 316/316L Stainless Steel	Industry Standards SAE J514, SAE J476	Series 5605-SS
Pressure Rating 1500 psi	Finish Passivated		Series Description SAE J514 Pipe Female Tee