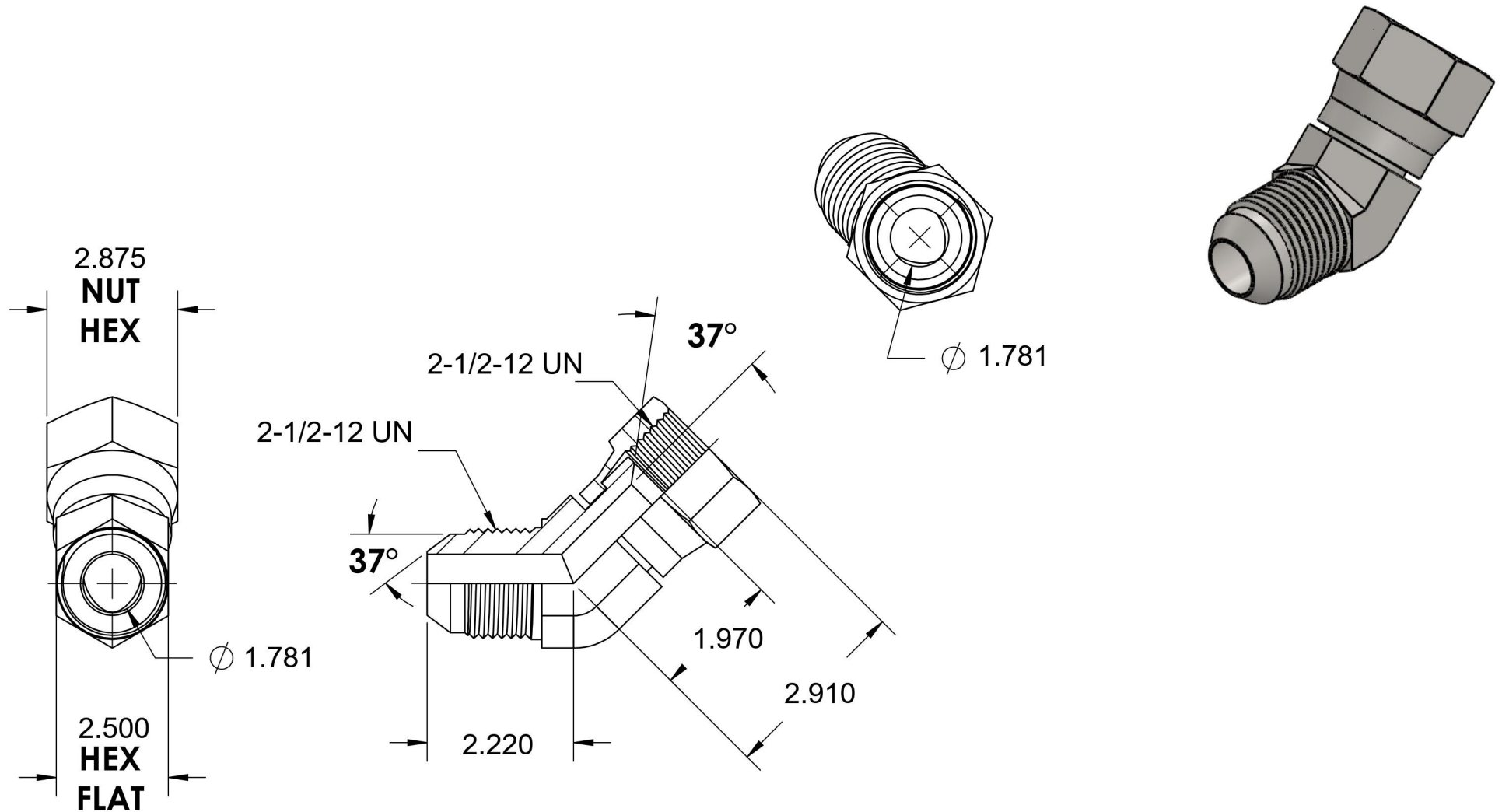


6502-32-32-SS

Stainless Steel, SAE J514 37° Flare 45° Swivel Elbow, 2" Male JIC x 2" Female JIC Swivel



6701 Cochran Road
Solon, Ohio 44139
Phone: (440) 248-1880
Toll Free: 1-888-331-1523

Temperature Rating	-425°F to 1200°F	Material	316/316L Stainless Steel	Industry Standards	SAE J514	Series	6502-SS
Pressure Rating	1500 psi	Finish	Passivated			Series Description	SAE J514 37° Flare 45° Swivel Elbow