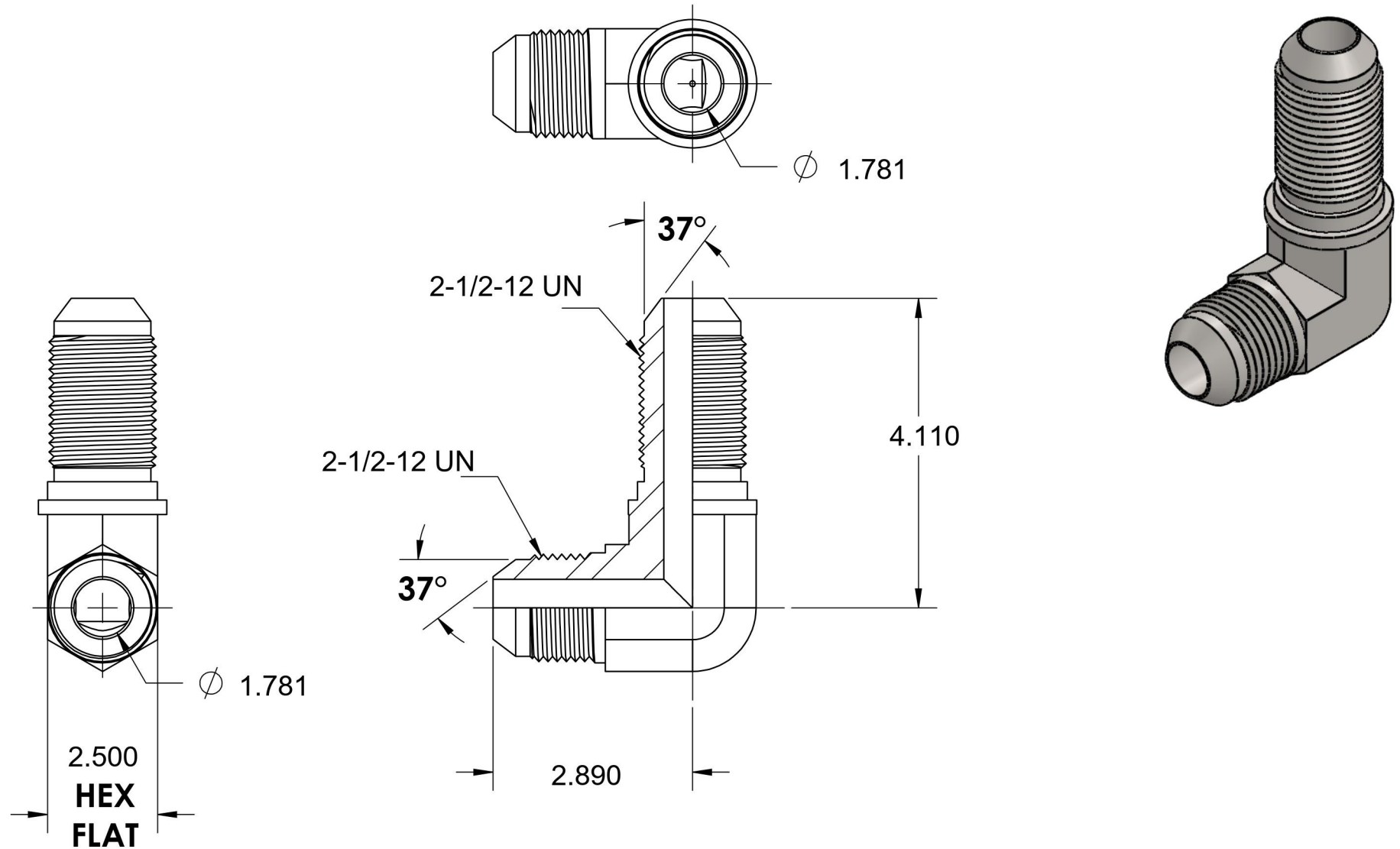


2701-32-32-FG

Steel, SAE J514 37° Flare Bulkhead 90° Elbow, 2" Male JIC x 2" Male JIC



6701 Cochran Road
Solon, Ohio 44139
Phone: (440) 248-1880
Toll Free: 1-888-331-1523

| | | | |
|---------------------------------------------|---------------------------------|--------------------------------------------------|-----------------------------------------------------------------------|
| Temperature Rating -65°F to 500°F | Material C1045 Steel | Industry Standards SAE J514, ASTM B633 | Series 2701-FG |
| Pressure Rating 2000 psi | Finish Trivalent Zinc | | Series Description SAE J514 37° Flare Bulkhead 90° Elbow |