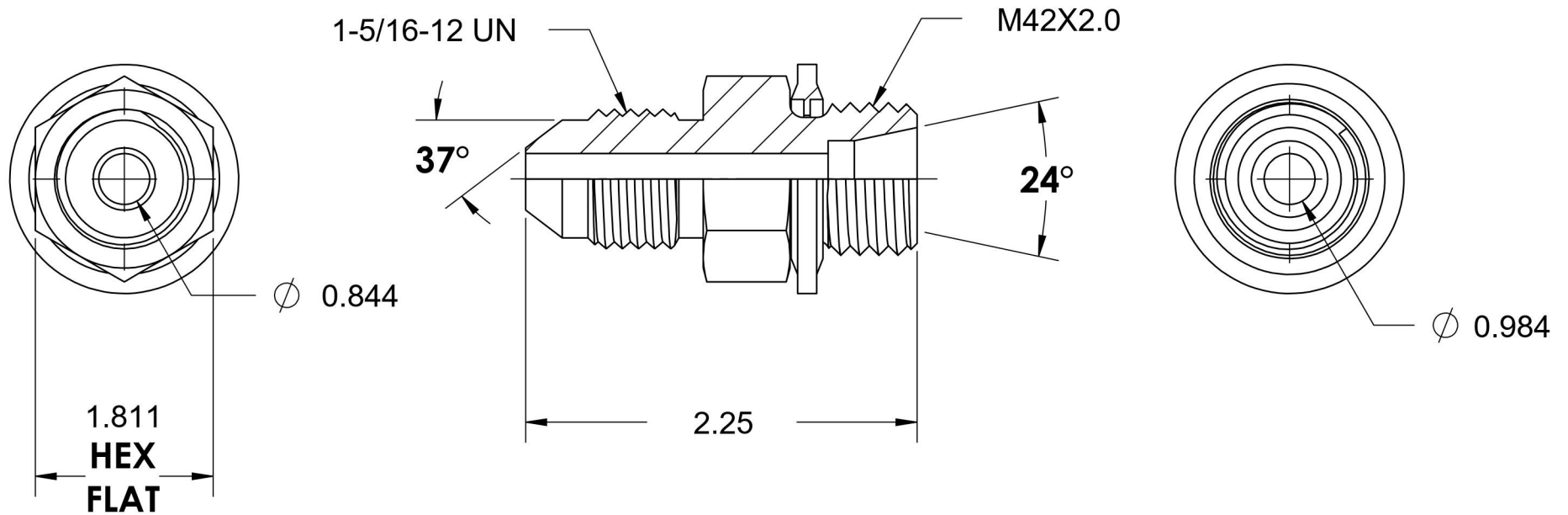
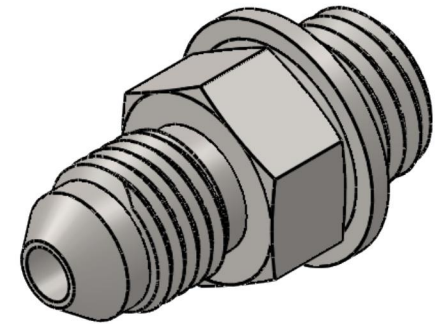


# 7005-16-S30-42-BS

Steel, SAE J514 37° Flare/ISO 8434-1 Heavy Series Male Adapter, Bonded Seal Assembled, 1" Male JIC x M42X2.0 Male DIN Line/Tube/Port



6701 Cochran Road  
Solon, Ohio 44139  
Phone: (440) 248-1880  
Toll Free: 1-888-331-1523

|                           |                     |                           |   |
|---------------------------|---------------------|---------------------------|---|
| <b>Temperature Rating</b> | <b>Material</b>     | <b>Industry Standards</b> | <b>Series</b>   |
| -40°F to 250°F            | C1045 / 12L14 Steel | SAE J514, ISO 8434-1      | 7005-DIN HEAVY-BS   |
| <b>Pressure Rating</b>    | <b>Finish</b>       | ISO 9974, ASTM B633       | <b>Series Description</b>   |
| 4000 psi                  | Trivalent Zinc      |                           | SAE J514 37° Flare/ISO 8434-1 Heavy Series Male Adapter Bonded Seal Assembled |