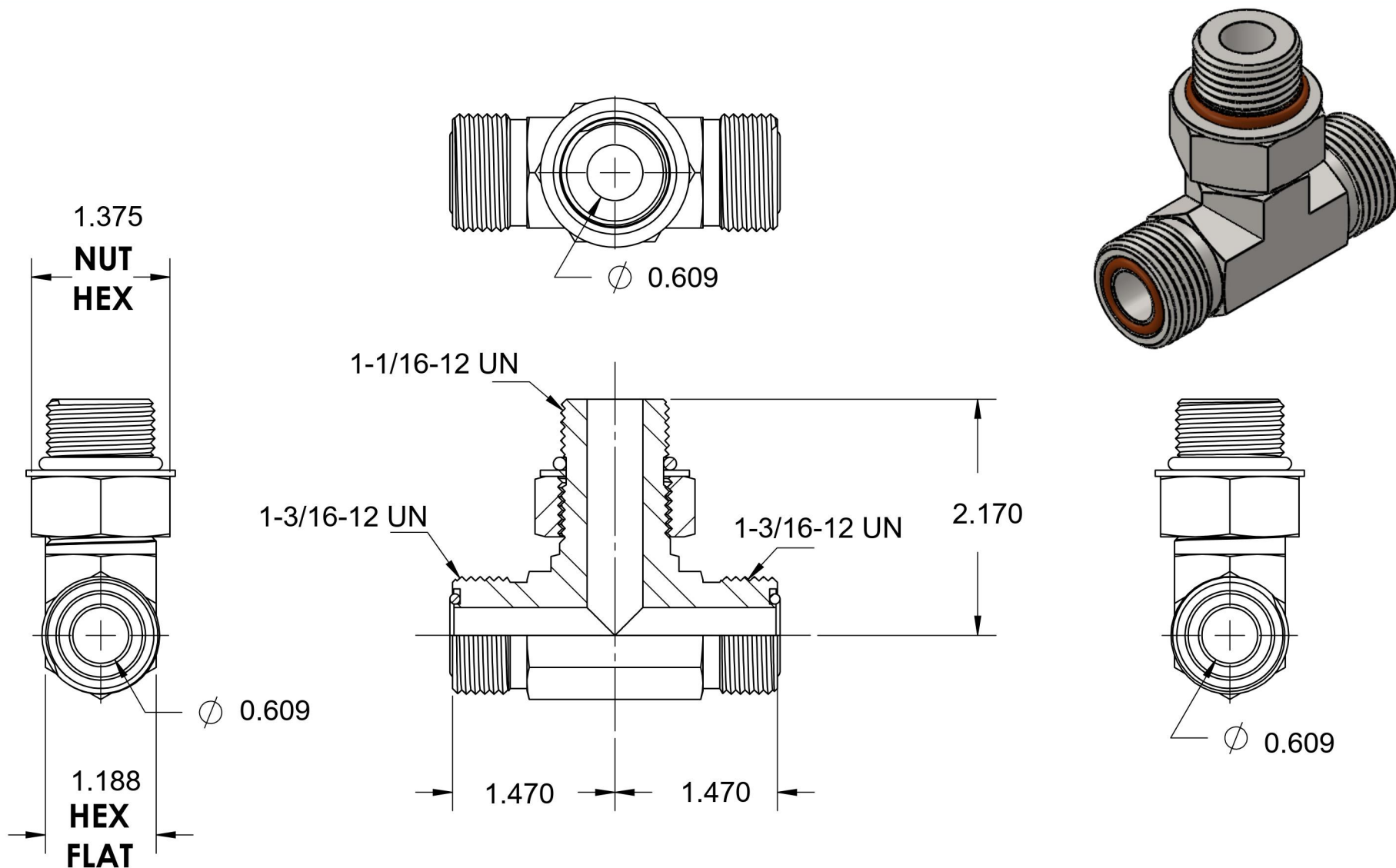


FS6803-12-12-12-NWO-FG-VITON

Steel, SAE J1453 O-Ring Face Seal Adjustable Port Branch Tee, 3/4" Male ORFS x 3/4" Male ORFS x 1-1/16-12 Male Adjustable ORB, FKM Seal



6701 Cochran Road
Solon, Ohio 44139
Phone: (440) 248-1880
Toll Free: 1-888-331-1523

Temperature Rating

-15°F to 400°F

Pressure Rating

6000 psi

Material

C1045 Steel

Finish

Trivalent Zinc

Industry Standards

SAE J1453, SAE J1926-2
SAE J515, ASTM B633

Series

FS6803-NWO-FG-VITON

Series Description

SAE J1453 O-Ring Face Seal
Adjustable Port Branch Tee