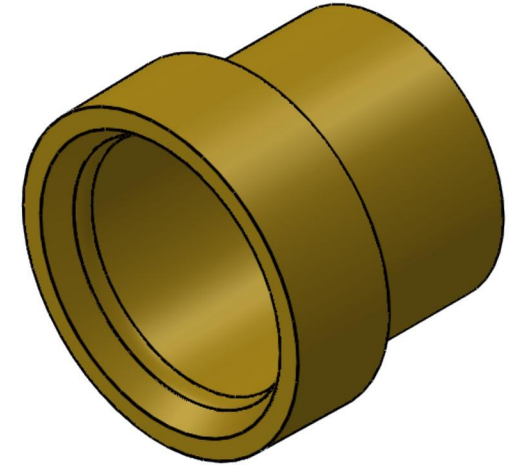
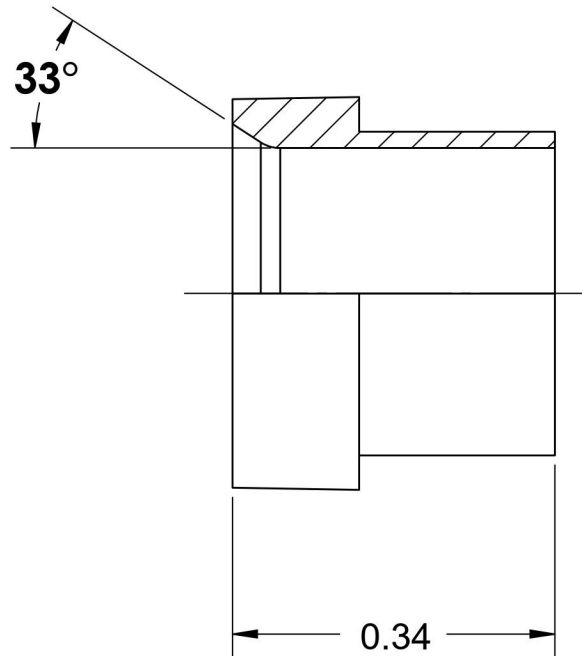
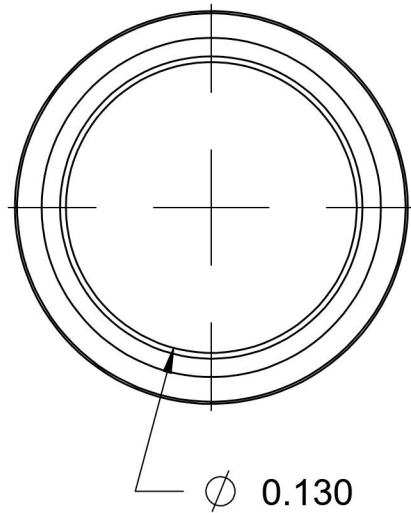


0319-02-B

Brass, SAE J514 37° Flare Tube Sleeve, 1/8" JIC Tube Sleeve



6701 Cochran Road
Solon, Ohio 44139
Phone: (440) 248-1880
Toll Free: 1-888-331-1523

Temperature Rating

-325°F to 400°F

Pressure Rating

Not Applicable

Material

C36000 Brass

Finish

Natural Finish

Industry Standards

SAE J514

Series

0319-B

Series Description

SAE J514 37° Flare Tube Sleeve