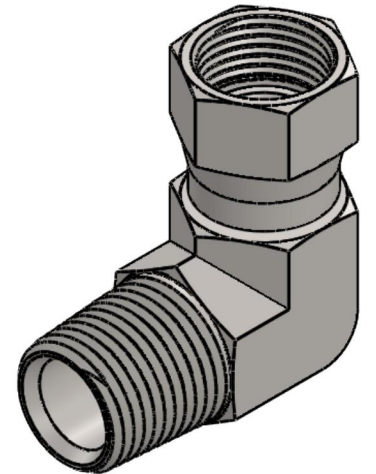
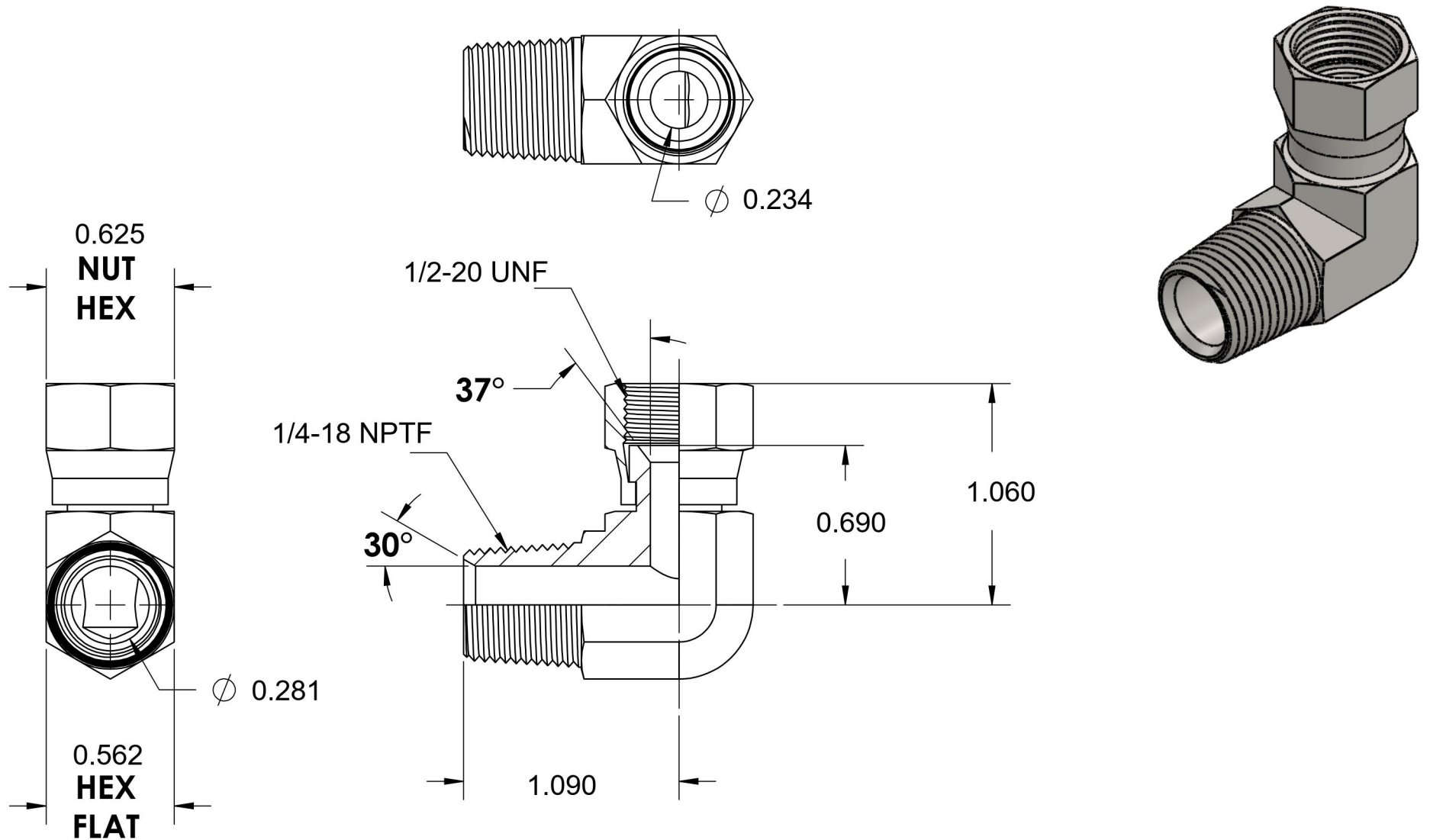


6501-04-05-FG

Steel, SAE J514 37° Flare Swivel 90° Male Elbow, 1/4" Male NPTF 30° x 5/16" Female JIC Swivel



6701 Cochran Road
Solon, Ohio 44139
Phone: (440) 248-1880
Toll Free: 1-888-331-1523

Temperature Rating

-65°F to 500°F

Pressure Rating

6000 psi

Material

C1045 Steel

Finish

Trivalent Zinc

Industry Standards

SAE J514, SAE J476
ASTM B633

Series

6501-FG

Series Description

SAE J514 37° Flare Swivel
90° Male Elbow