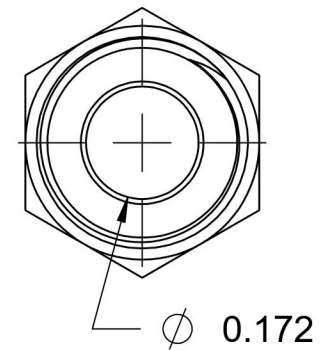
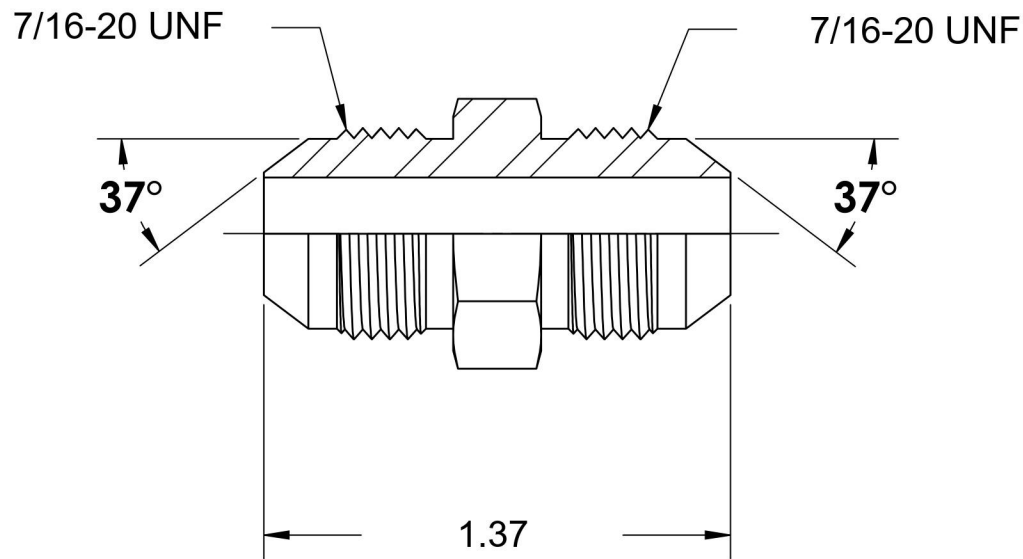
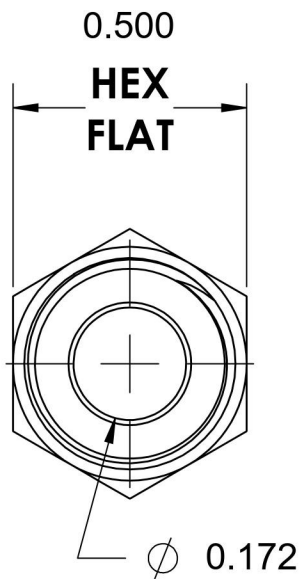
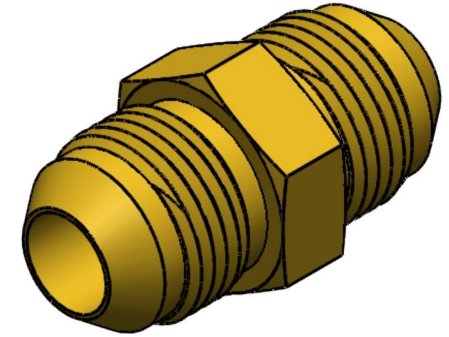


2403-04-04-B

Brass, SAE J514 37° Flare Union, 1/4" Male JIC x 1/4" Male JIC



6701 Cochran Road
Solon, Ohio 44139
Phone: (440) 248-1880
Toll Free: 1-888-331-1523

| | | | |
|--|---------------------------------|---------------------------------------|---|
| Temperature Rating -325°F to 400°F | Material C36000 Brass | Industry Standards SAE J514 | Series 2403-B |
| Pressure Rating 3300 psi | Finish Natural Finish | | Series Description SAE J514 37° Flare Union |