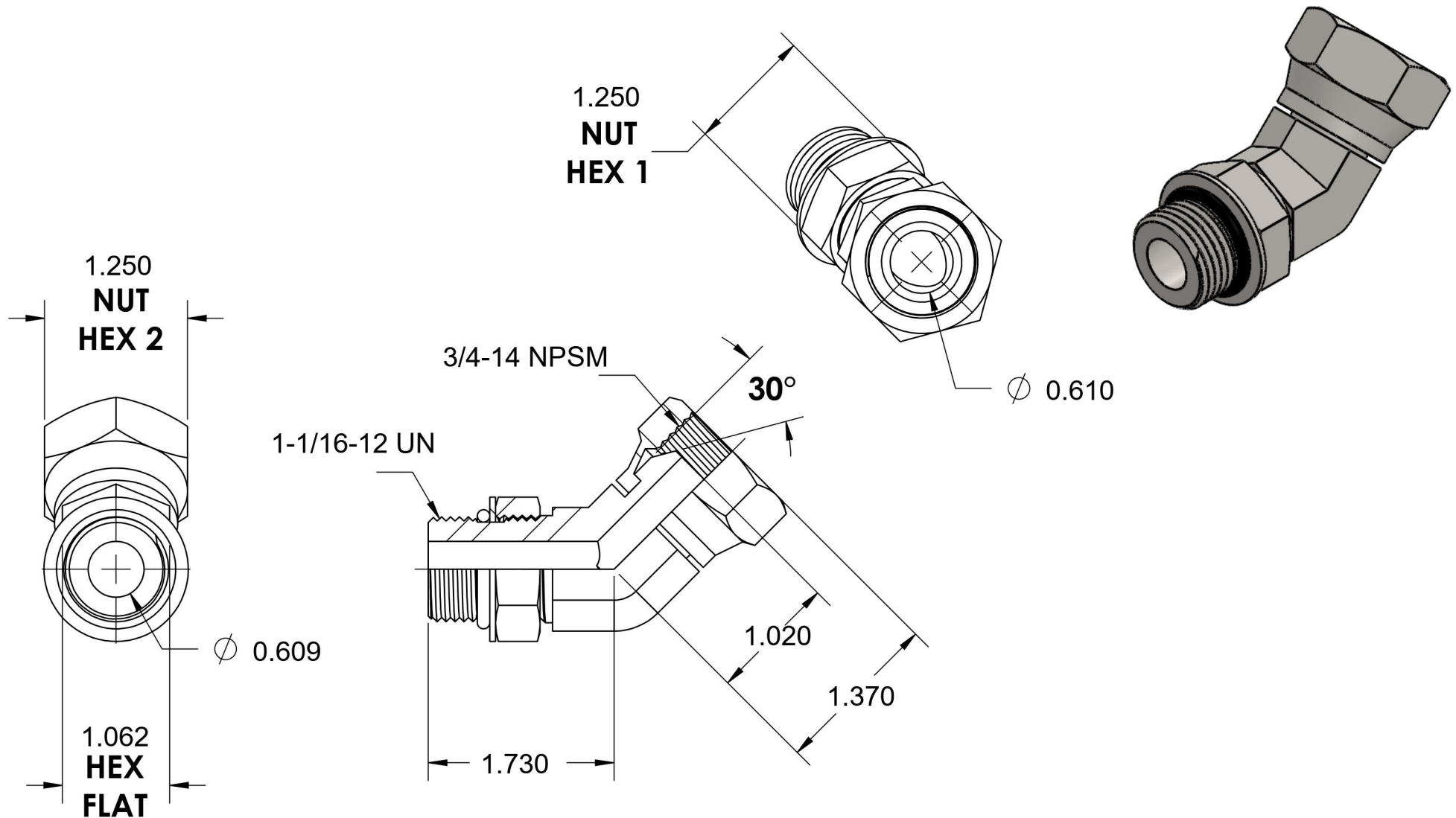


6902-12-12-NWO-SS

Stainless Steel, SAE J514 NPSM Swivel 45° Adjustable Port Elbow, 1-1/16-12 Male Adjustable ORB x 3/4" Female NPSM Swivel



6701 Cochran Road
Solon, Ohio 44139
Phone: (440) 248-1880
Toll Free: 1-888-331-1523

Temperature Rating

-40°F to 250°F

Pressure Rating

3000psi

Material

316/316L Stainless Steel

Finish

Passivation

Industry Standards

SAE J514, SAE J1926-3
SAE J515

Series

6902-NWO-FG

Series Description

SAE J514 NPSM Swivel 45° Adjustable Port Elbow