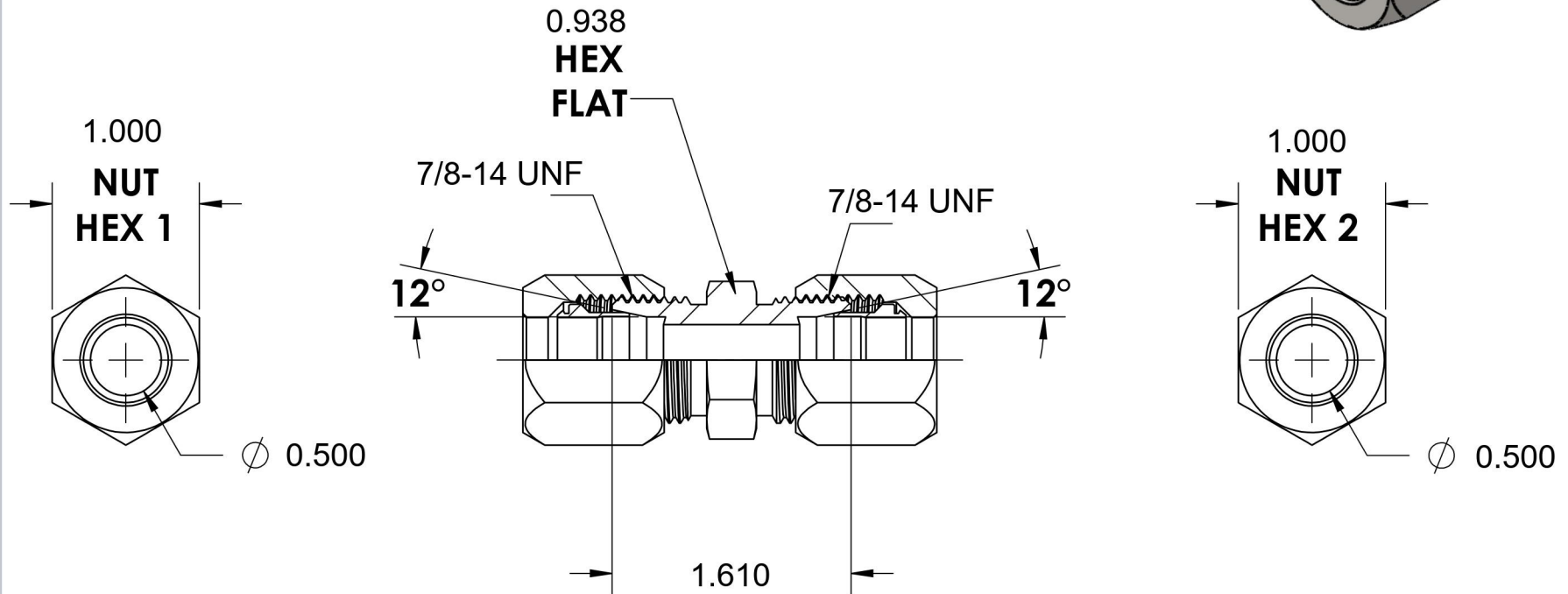


C2403-10-10

Steel, SAE J514 Flareless Tube Union, 5/8" Flareless Bite Type x 5/8" Flareless Bite Type



6701 Cochran Road
Solon, Ohio 44139
Phone: (440) 248-1880
Toll Free: 1-888-331-1523

| | | | |
|---------------------------|-------------------|---------------------------|-------------------------------|
| Temperature Rating | Material | Industry Standards | Series |
| -65°F to 500°F | C1045/12L14 Steel | SAE J514, ASTM B633 | C2403 |
| Pressure Rating | Finish | | Series Description |
| 5000 psi | Trivalent Zinc | | SAE J514 Flareless Tube Union |