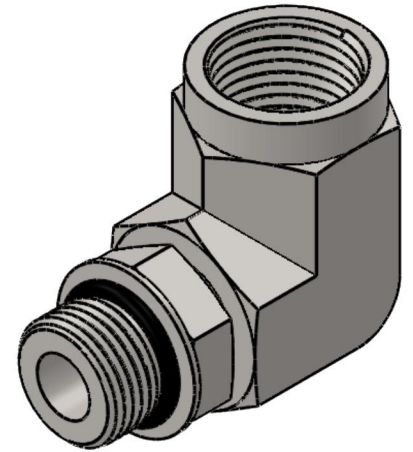
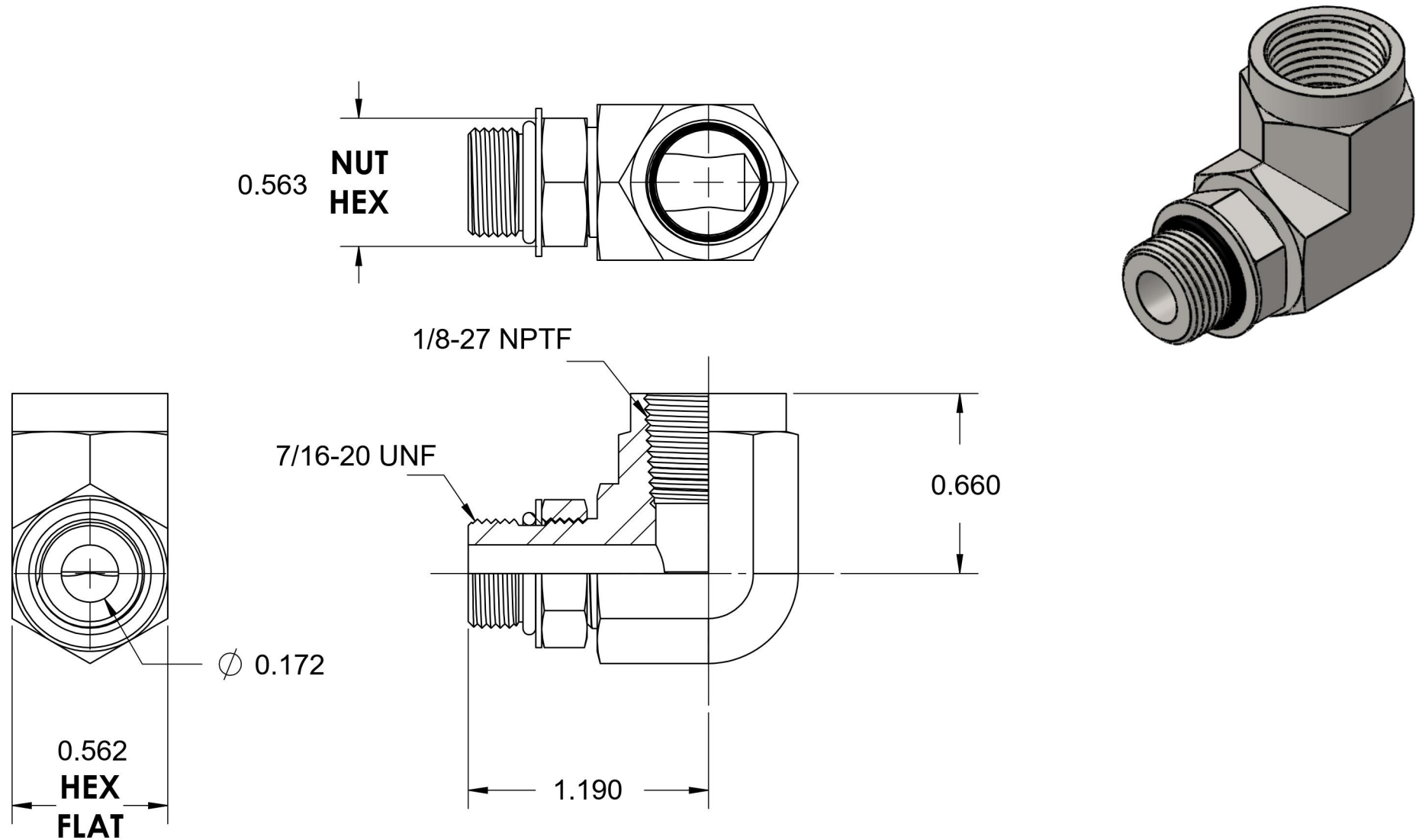


6805-04-02-NWO-SS

Stainless Steel, SAE J1926 Adjustable O-Ring Boss 90° Female Elbow, 7/16-20 Male Adjustable ORB x 1/8" Female NPTF



6701 Cochran Road
Solon, Ohio 44139
Phone: (440) 248-1880
Toll Free: 1-888-331-1523

| Temperature Rating | Material | Industry Standards | Series |
|--------------------|--------------------------|-----------------------------------|--|
| -40°F to 250°F | 316/316L Stainless Steel | SAE J1926-3, SAE J476 SAE J515 | 6805-NWO-SS |
| Pressure Rating | Finish | | Series Description |
| 5000 psi | Passivated | | SAE J1926 Adjustable O-Ring Boss 90° Female Elbow |