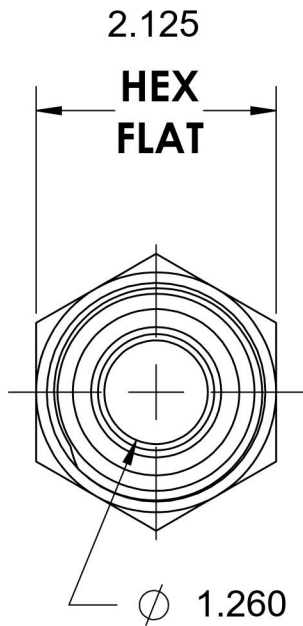
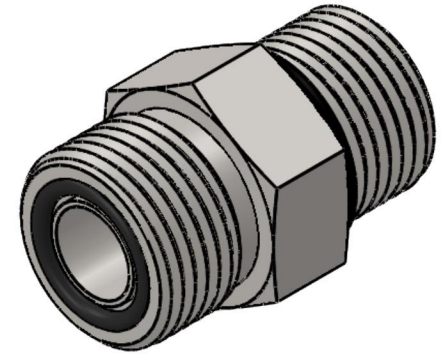
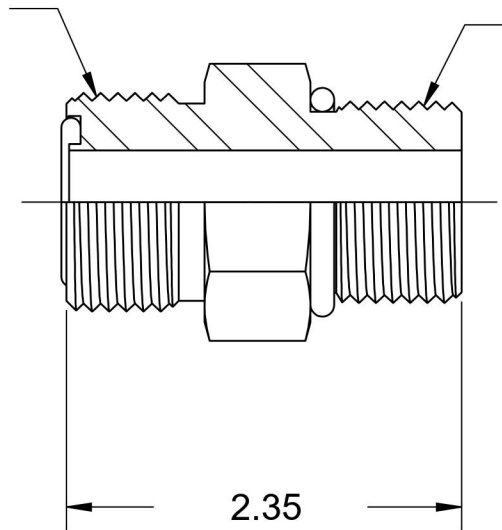


FS6400-24-20-O-SS

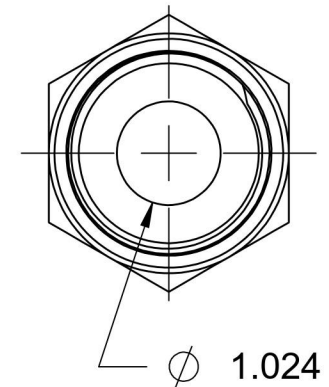
Stainless Steel, SAE J1453 O-Ring Face Seal Port Connector, 1-1/2" Male ORFS x 1-5/8-12 Male ORB



2-12 UNF



1-5/8-12 UN



6701 Cochran Road
Solon, Ohio 44139
Phone: (440) 248-1880
Toll Free: 1-888-331-1523

Temperature Rating	Material	Industry Standards	Series
-40°F to 250°F	316/316L Stainless Steel	SAE J1453, SAE J1926-2	FS6400-O-SS
Pressure Rating	Finish		Series Description
5000 psi	Passivated		SAE J1453 O-Ring Face Seal Port Connector