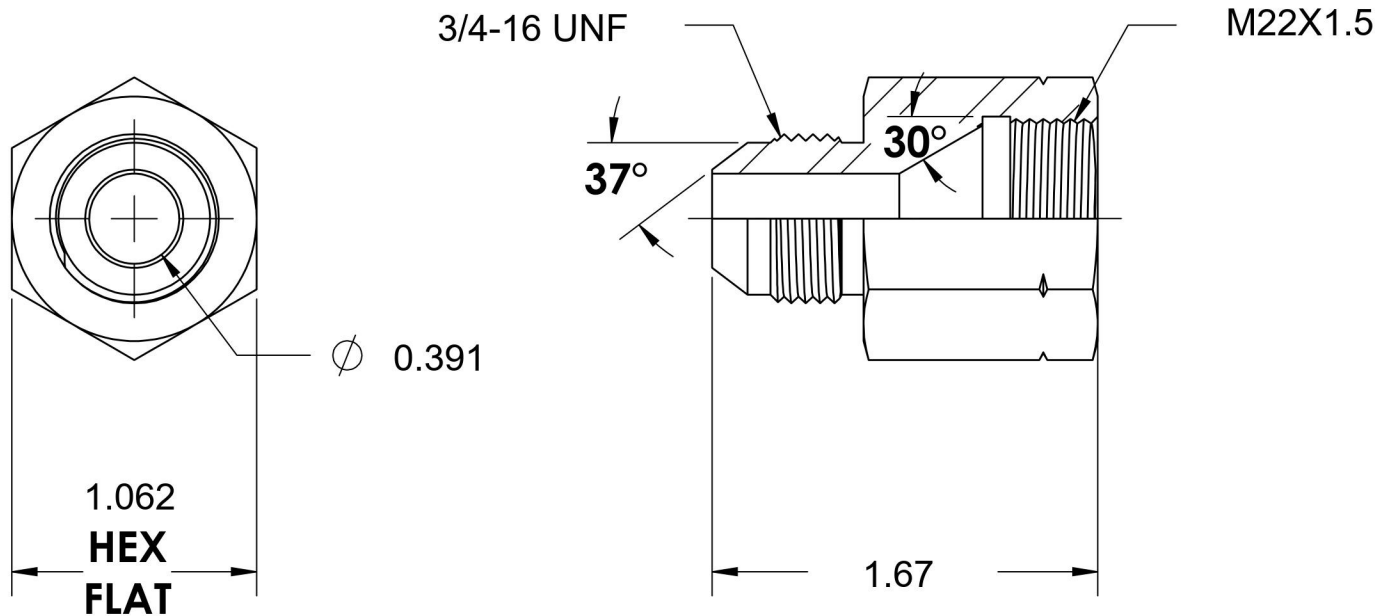
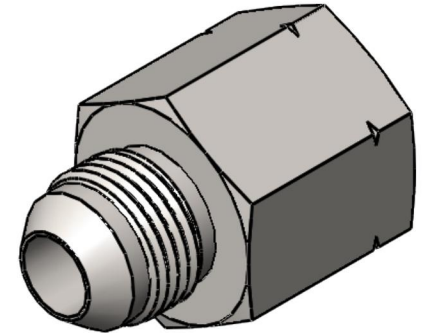


# 7009-F-08-22

Steel, SAE J514 37° Flare Female Komatsu Adapter, 1/2" Male JIC x M22X1.5 Female Komatsu



6701 Cochran Road  
Solon, Ohio 44139  
Phone: (440) 248-1880  
Toll Free: 1-888-331-1523

**Temperature Rating**

-65°F to 500°F

**Pressure Rating**

4000 psi

**Material**

C1045 / 12L14 Steel

**Finish**

Trivalent Zinc

**Industry Standards**

SAE J514, ASTM B633  
Komatsu Standard

**Series**

7009-F

**Series Description**

SAE J514 37° Flare  
Female Komatsu Adapter