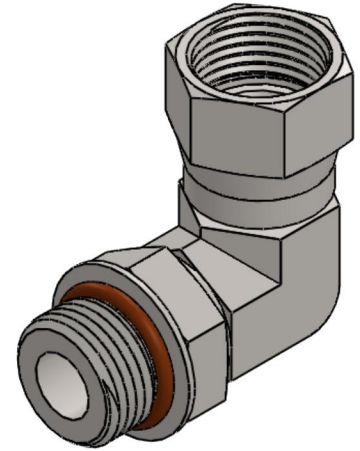
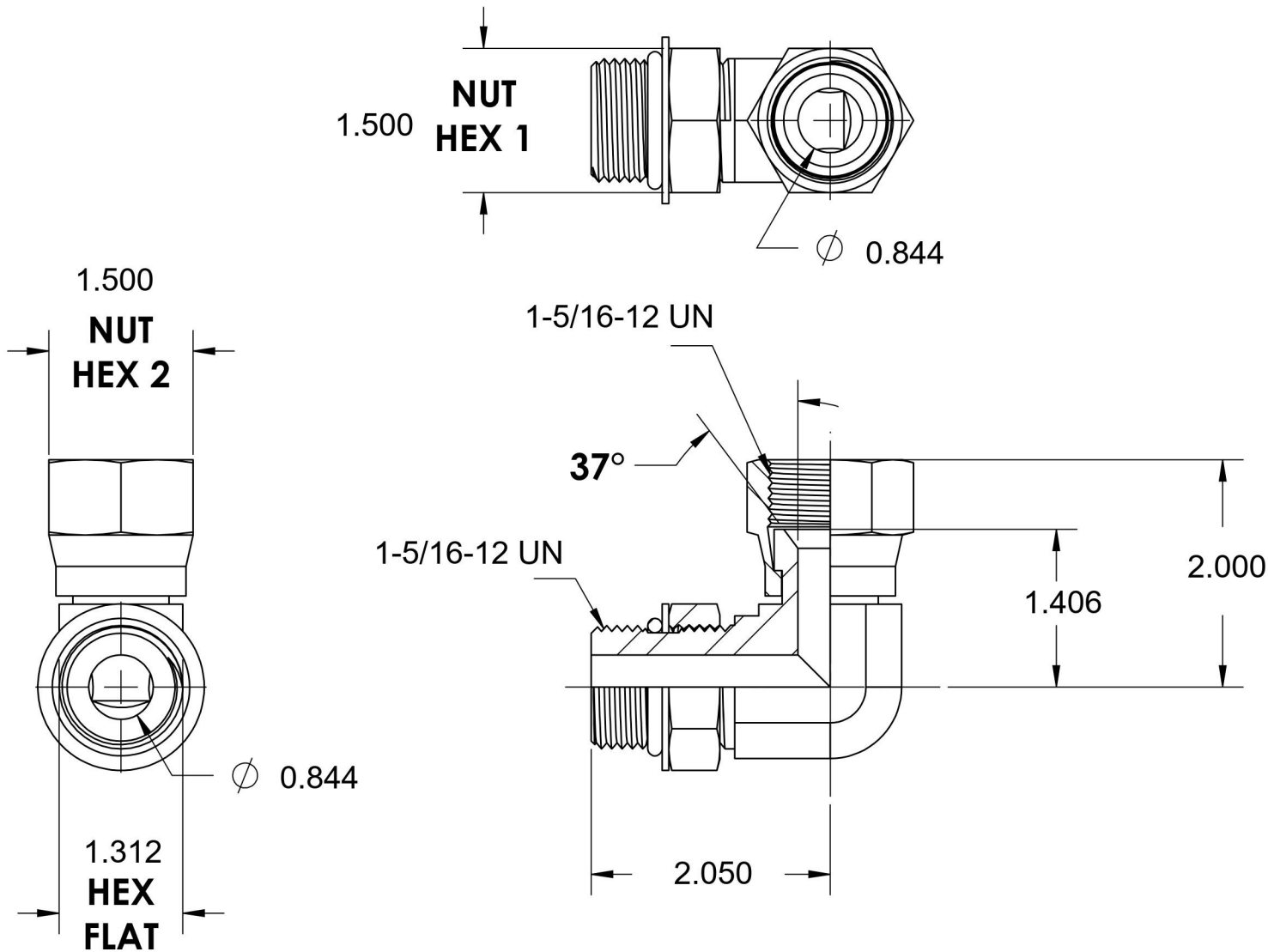


6809-16-16-NWO-FG-VITON

Steel, SAE J514 37° Flare Swivel 90° Adjustable Port Elbow, 1-5/16-12 Male Adjustable ORB x 1" Female JIC Swivel



6701 Cochran Road
Solon, Ohio 44139
Phone: (440) 248-1880
Toll Free: 1-888-331-1523

Temperature Rating	Material	Industry Standards	Series
-15°F to 400°F	C1045 Steel	SAE J1926, SAE J514 ASTM B633	6809-NWO-FG
Pressure Rating	Finish		Series Description
4000 psi	Trivalent Zinc		SAE J514 37° Flare Swivel 90° Adjustable Port Elbow