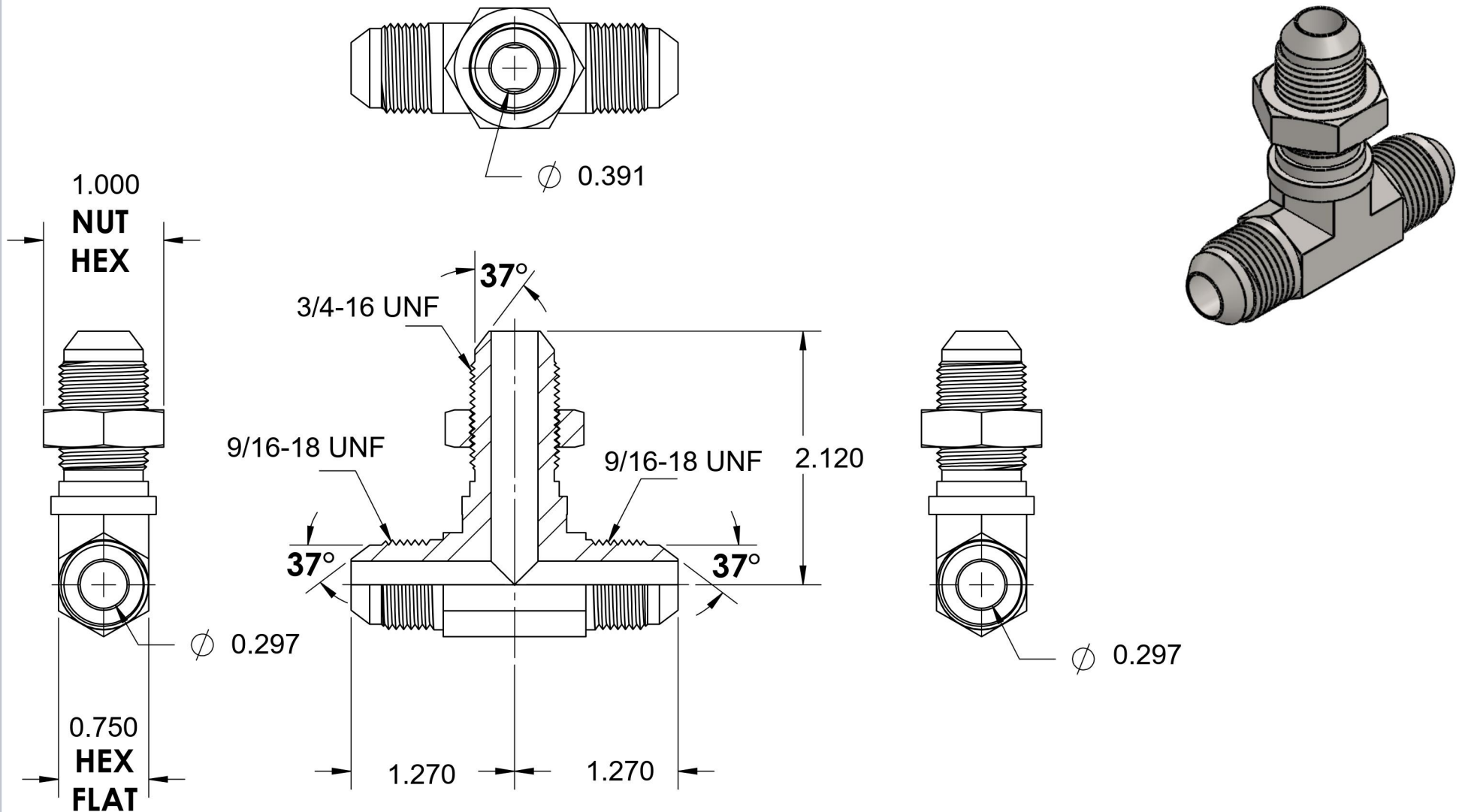


# 2703-LN-06-06-08-FG

Steel, SAE J514 37° Flare Bulkhead Branch Tee With Lock Nut, 3/8" Male JIC x 3/8" Male JIC x 1/2" Male JIC



6701 Cochran Road  
Solon, Ohio 44139  
Phone: (440) 248-1880  
Toll Free: 1-888-331-1523

**Temperature Rating**

-65°F to 500°F

**Pressure Rating**

6000psi

**Material**

C1045 Steel

**Finish**

Trivalent Zinc

**Industry Standards**

SAE J514, ASTM B633

**Series**

2703-LN-FG

**Series Description**

SAE J514 37° Flare Bulkhead Branch Tee With Lock Nut