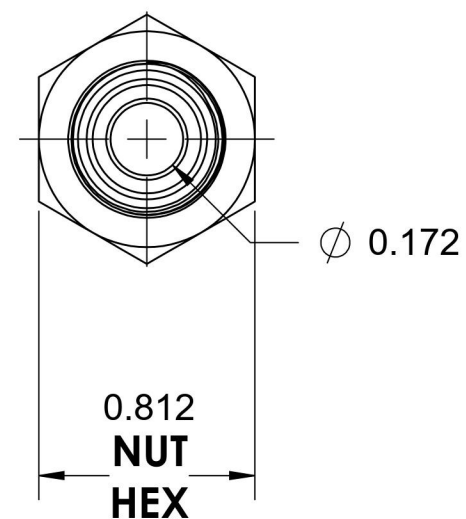
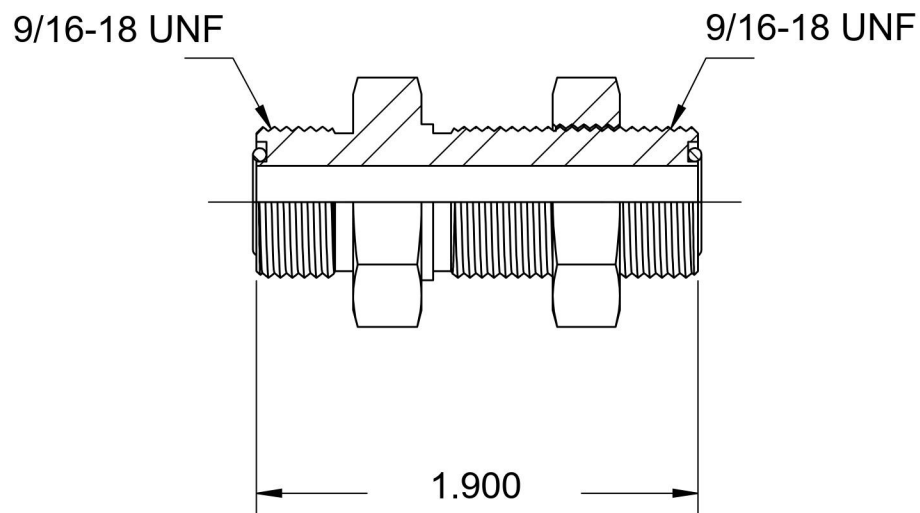
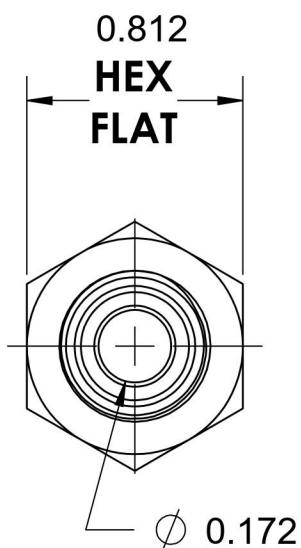
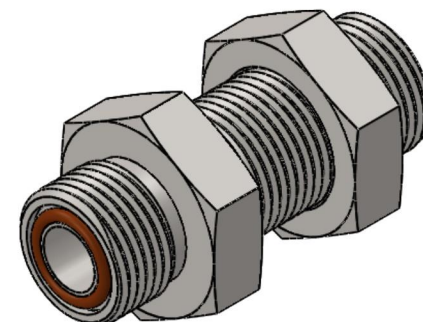


# FS2700-LN-04-04-VITON

Steel, SAE J1453 O-Ring Face Seal Bulkhead With Lock Nut, 1/4" Male ORFS x 1/4" Male ORFS, FKM Seal



6701 Cochran Road  
Solon, Ohio 44139  
Phone: (440) 248-1880  
Toll Free: 1-888-331-1523

**Temperature Rating**

-15°F to 400°F

**Pressure Rating**

9200 psi

**Material**

C1045/12L14 Steel

**Finish**

Trivalent Zinc

**Industry Standards**

SAE J1453, SAE J515  
ASTM B633

**Series**

FS2700-LN-VITON

**Series Description**

SAE J1453 O-Ring Face Seal  
Bulkhead With Lock Nut