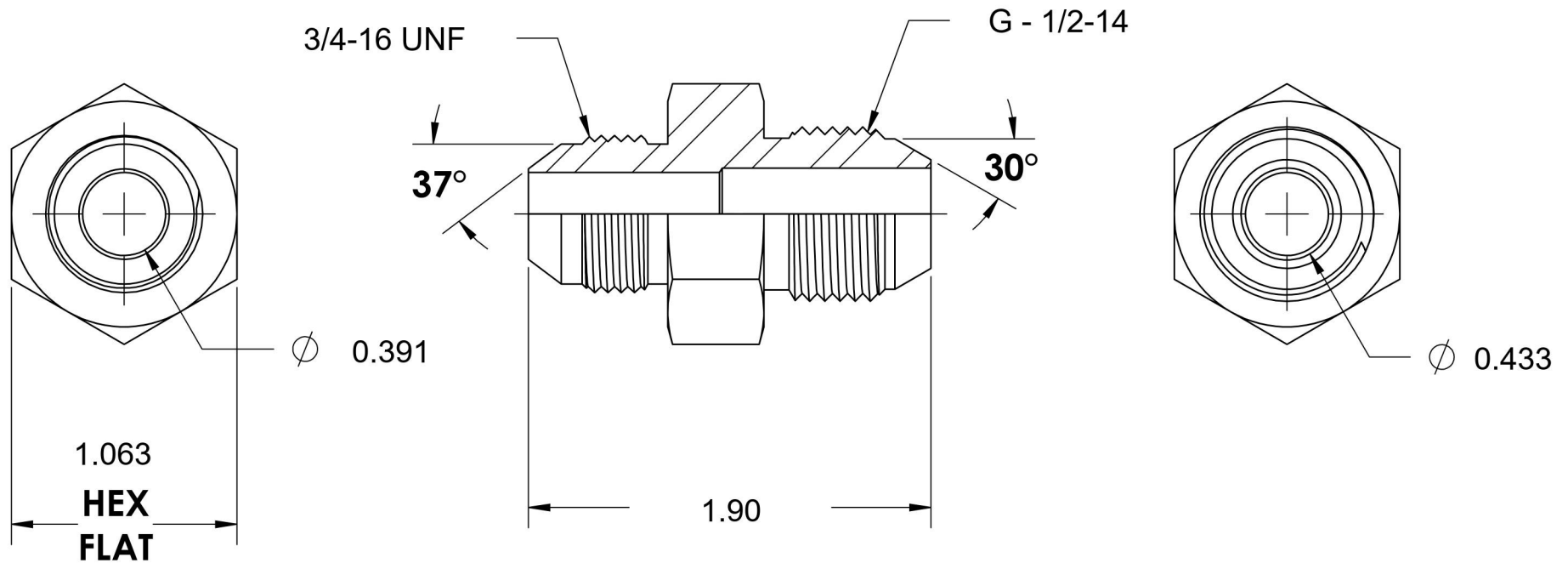
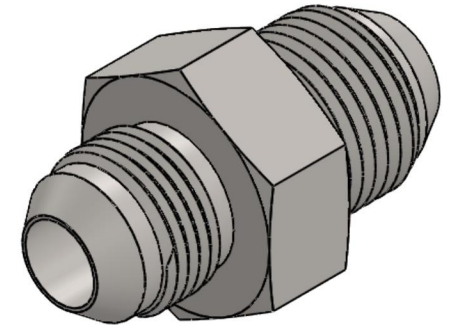


7008-08-08-SS

Stainless Steel, SAE J514 37° Flare Male JIS Adapter, 1/2" Male JIC x 1/2-14 Male JIS



6701 Cochran Road
Solon, Ohio 44139
Phone: (440) 248-1880
Toll Free: 1-888-331-1523

Temperature Rating -425°F to 1200°F	Material 316/316L Stainless Steel	Industry Standards SAE J514, JIS B 0202	Series 7008-SS
Pressure Rating 5000 psi	Finish Passivated		Series Description SAE J514 37° Flare Male JIS Adapter