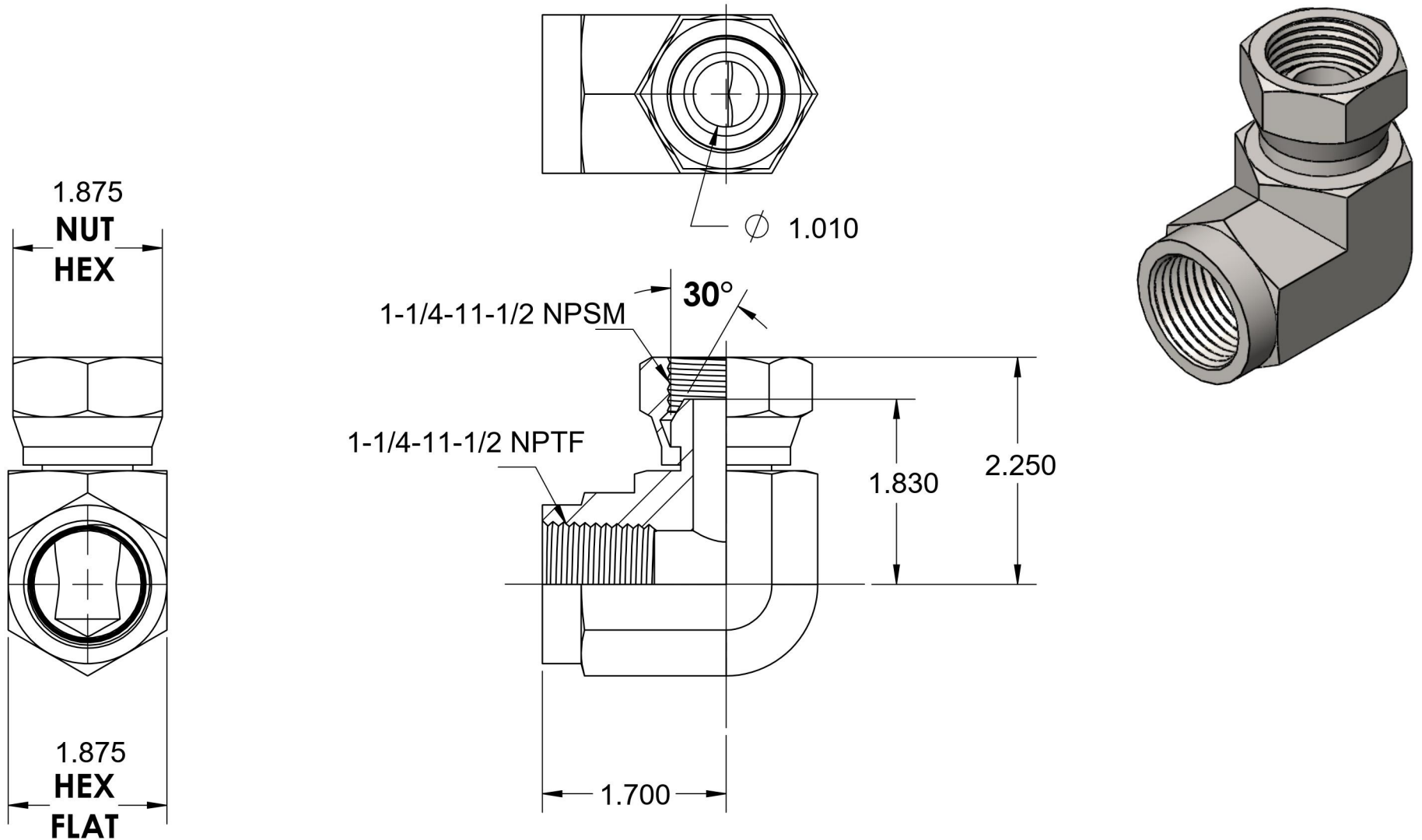


# 1502-20-20-SS

Stainless Steel, SAE J514 NPSM Swivel 90° Female Elbow, 1-1/4" Female NPTF x 1-1/4" Female NPSM Swivel



6701 Cochran Road  
Solon, Ohio 44139  
Phone: (440) 248-1880  
Toll Free: 1-888-331-1523

|                           |                          |                           |  |
|---------------------------|--------------------------|---------------------------|--|
| <b>Temperature Rating</b> | <b>Material</b>          | <b>Industry Standards</b> | <b>Series</b>                            |
| -425°F to 1200°F          | 316/316L Stainless Steel | SAE J514, SAE J476        | 1502-SS                                  |
| <b>Pressure Rating</b>    | <b>Finish</b>            |                           | <b>Series Description</b>                |
| 1500 psi                  | Passivated               |                           | SAE J514 NPSM Swivel<br>90° Female Elbow |