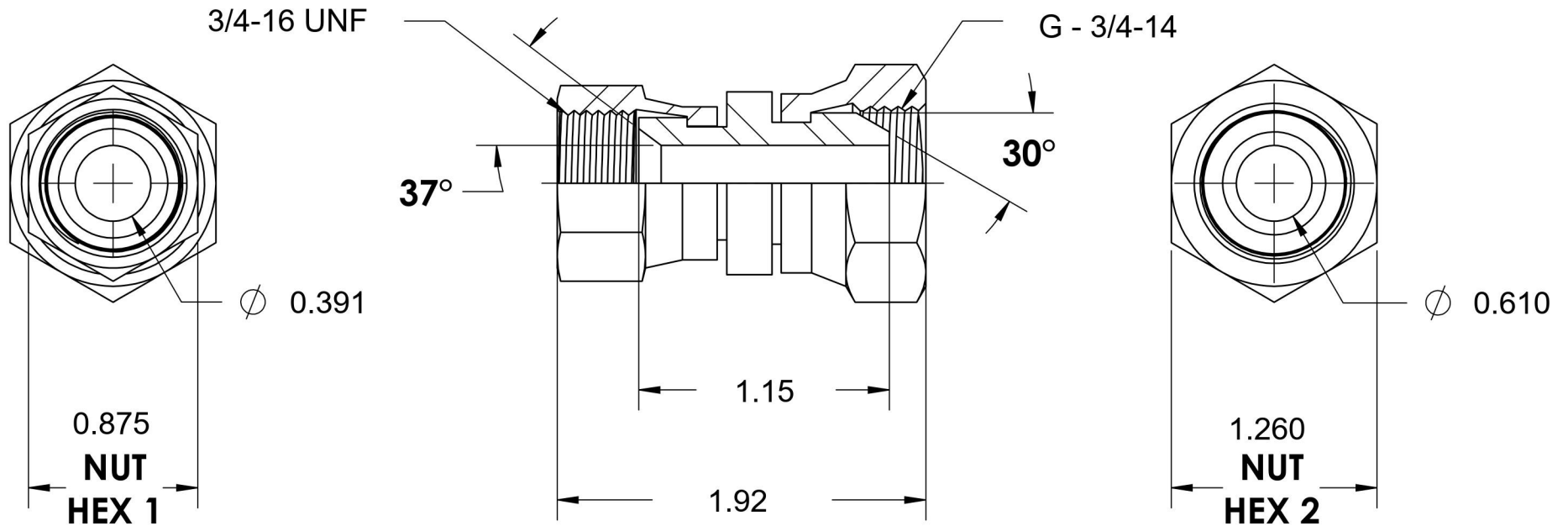
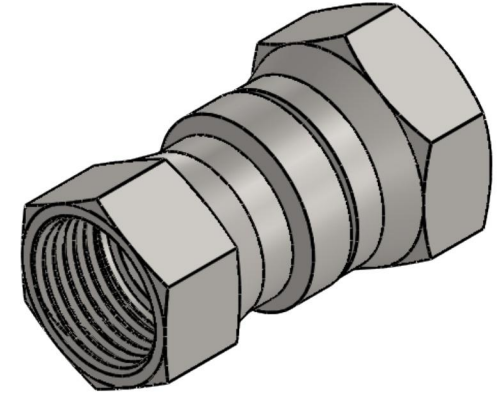


# 7023-08-12

## Steel, SAE J514 37° Flare Swivel BSPP Connector, 1/2" Female JIC Swivel x 3/4-14 Female BSPP Swivel



6701 Cochran Road  
Solon, Ohio 44139  
Phone: (440) 248-1880  
Toll Free: 1-888-331-1523

**Temperature Rating**

-65°F to 500°F

**Pressure Rating**

2900 psi

**Material**

C1045 / 12L14 Steel

**Finish**

Trivalent Zinc

**Industry Standards**

SAE J514, ISO 8434-6

ASTM B633

**Series**

7023

**Series Description**

SAE J514 37° Flare  
Swivel BSPP Connector