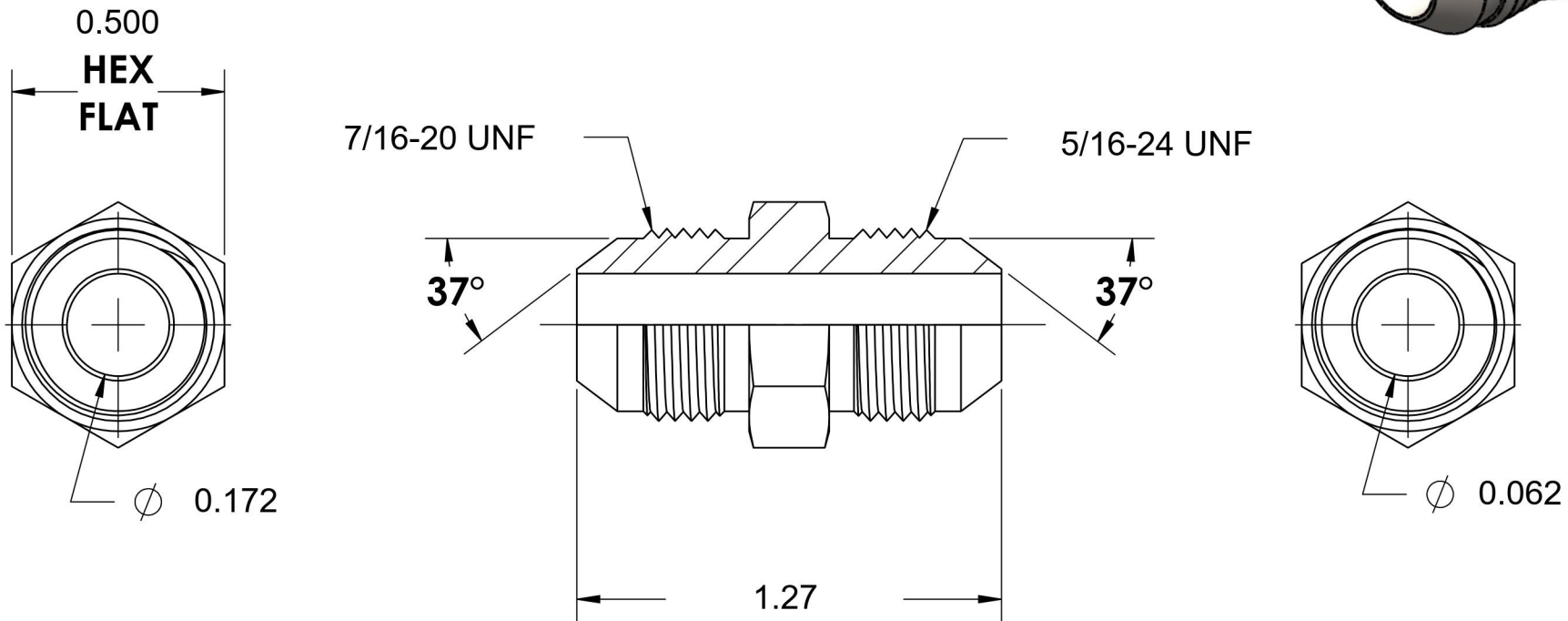


2403-04-02

Steel, SAE J514 37° Flare Union, 1/4" Male JIC x 1/8" Male JIC



6701 Cochran Road
Solon, Ohio 44139
Phone: (440) 248-1880
Toll Free: 1-888-331-1523

| | | | |
|---|--------------------------------------|--|---|
| Temperature Rating -65°F to 500°F | Material C1045/12L14 Steel | Industry Standards SAE J514, ASTM B633 | Series 2403 |
| Pressure Rating 7500 psi | Finish Trivalent Zinc | | Series Description SAE J514 37° Flare Union |