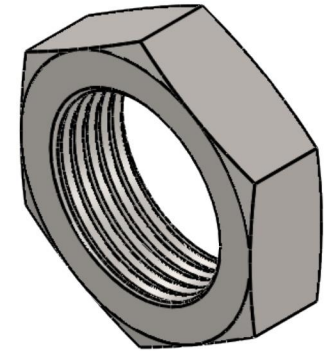
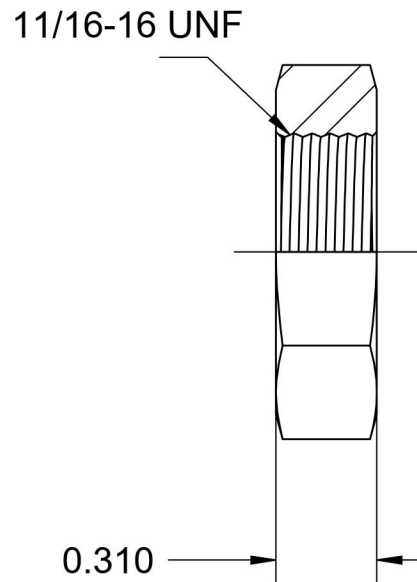
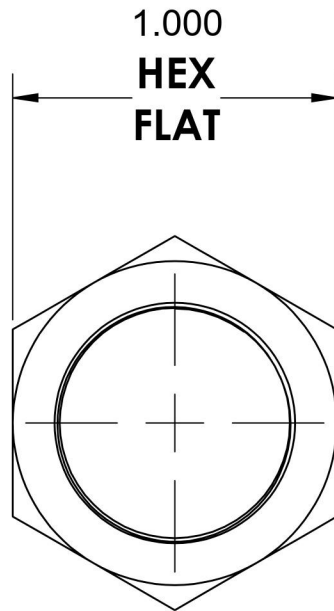


FS0306-06

Steel, SAE J1453 O-Ring Face Seal Bulkhead Lock Nut, 3/8" ORFS Locknut



6701 Cochran Road
Solon, Ohio 44139
Phone: (440) 248-1880
Toll Free: 1-888-331-1523

Temperature Rating -65°F to 500°F	Material C1045/12L14 Steel	Industry Standards SAE J1453, ASTM B633	Series FS0306
Pressure Rating Not Available	Finish Trivalent Zinc		Series Description SAE J1453 O-Ring Face Seal Bulkhead Lock Nut