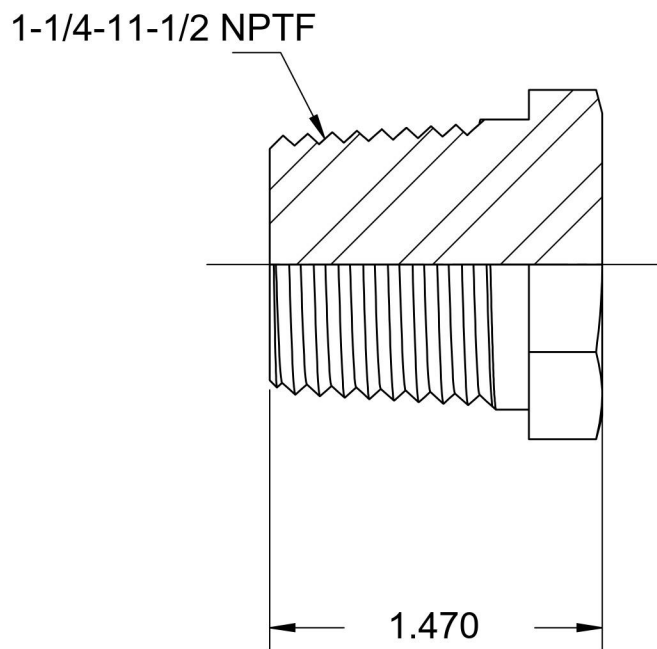
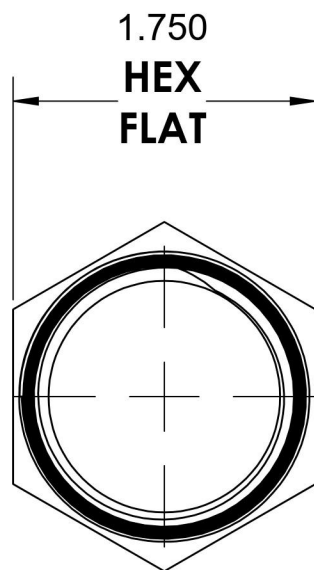
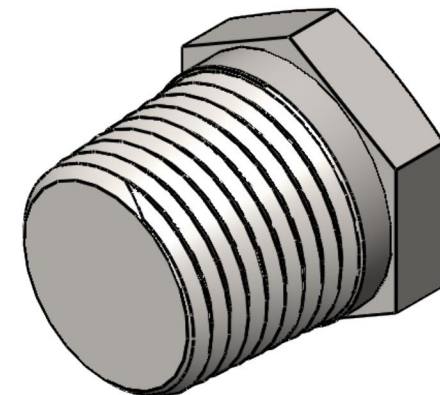


# 5406-P-20

## Steel, SAE J531 Pipe Hex Head Plug, 1-1/4" Male NPTF



6701 Cochran Road  
Solon, Ohio 44139  
Phone: (440) 248-1880  
Toll Free: 1-888-331-1523

#### Temperature Rating

-65°F to 500°F

#### Pressure Rating

3000 psi

#### Material

C1045 / 12L14 Steel

#### Finish

Trivalent Zinc

#### Industry Standards

SAE J531, SAE J476  
ASTM B633

#### Series

5406-P

#### Series Description

SAE J531 Pipe Hex Head Plug