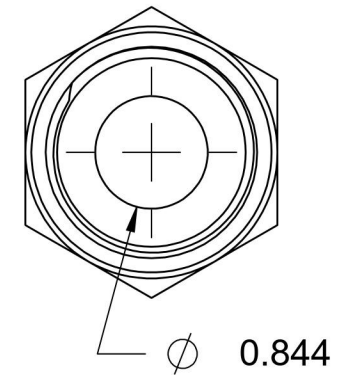
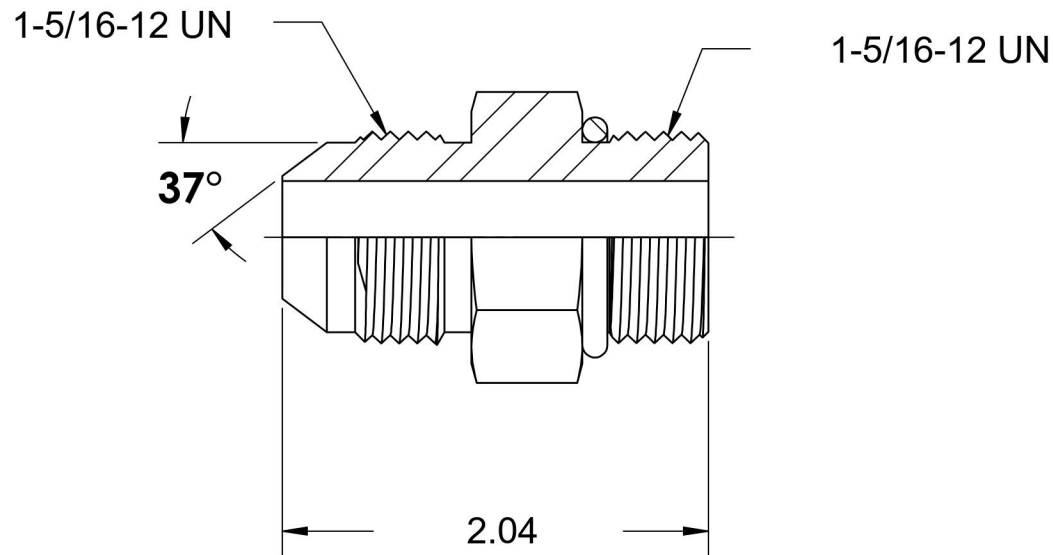
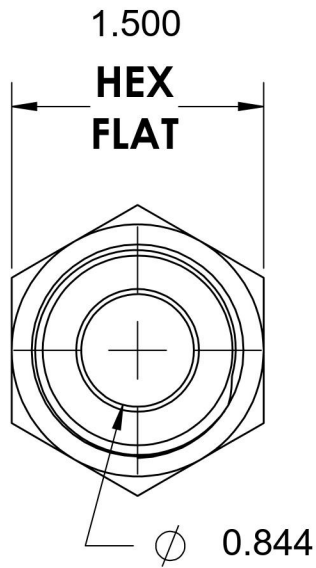


6400-16-16-O-SS

Stainless Steel, SAE J514 37° Flare Port Connector, 1" Male JIC x 1-5/16-12 Male ORB



6701 Cochran Road
Solon, Ohio 44139
Phone: (440) 248-1880
Toll Free: 1-888-331-1523

Temperature Rating -40°F to 250°F	Material 316/316L Stainless Steel	Industry Standards SAE J514, SAE J1926-3	Series 6400-O-SS
Pressure Rating 5400 psi	Finish Passivated		Series Description SAE J514 37° Flare Port Connector