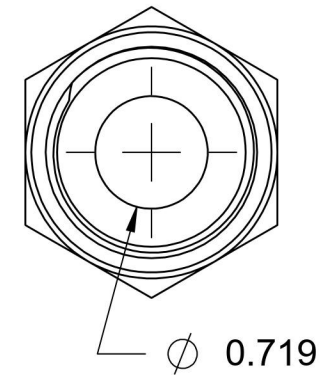
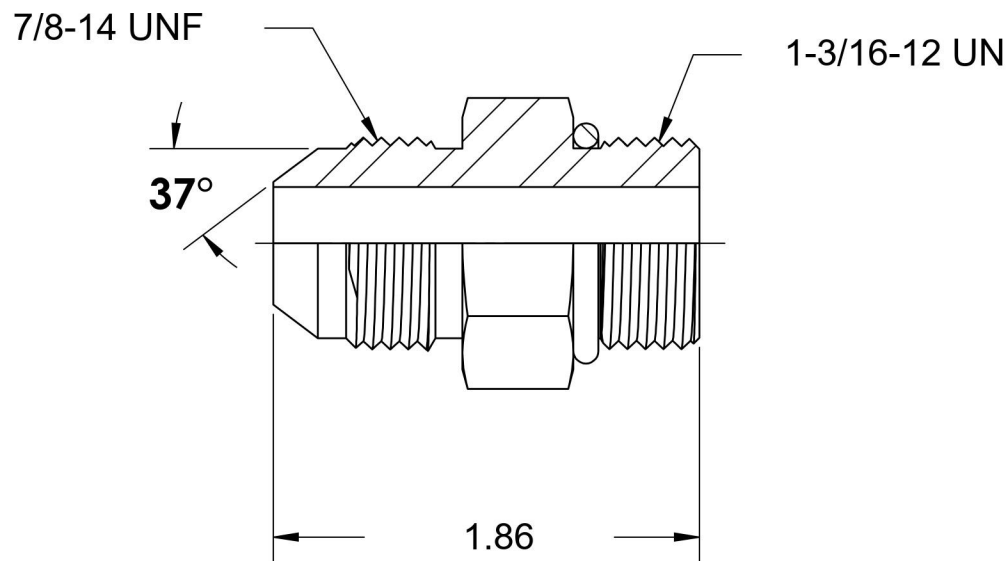
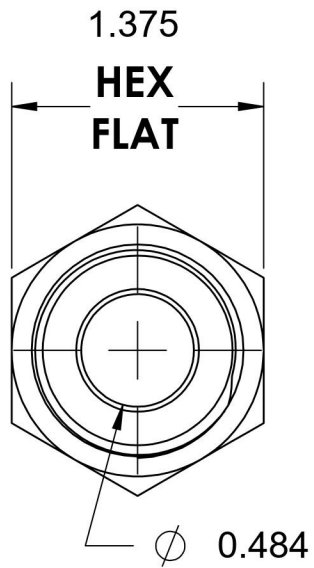
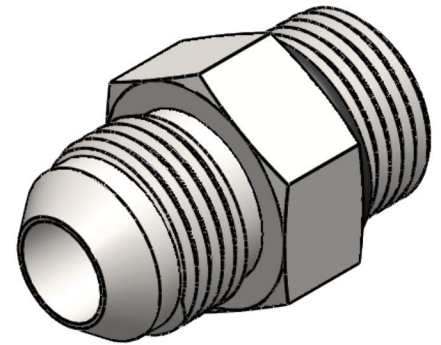


# 6400-10-14-O

Steel, SAE J514 37° Flare Port Connector, 5/8" Male JIC x 1-3/16-12 Male ORB



6701 Cochran Road  
Solon, Ohio 44139  
Phone: (440) 248-1880  
Toll Free: 1-888-331-1523

**Temperature Rating**  
-40°F to 250°F

**Pressure Rating**  
4500 psi

**Material**  
C1045 / 12L14 Steel

**Finish**  
Trivalent Zinc

**Industry Standards**  
SAE J514, SAE J1926-3  
ASTM B633

**Series**  
6400-O

**Series Description**  
SAE J514 37° Flare Port Connector