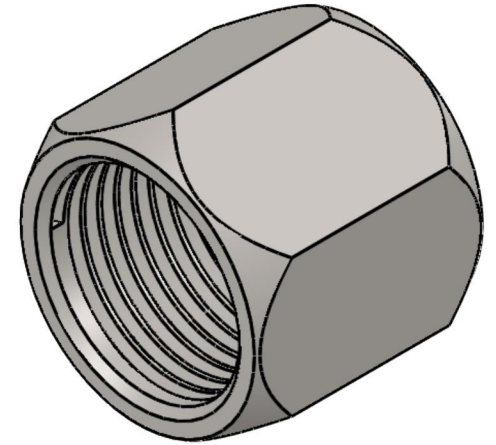
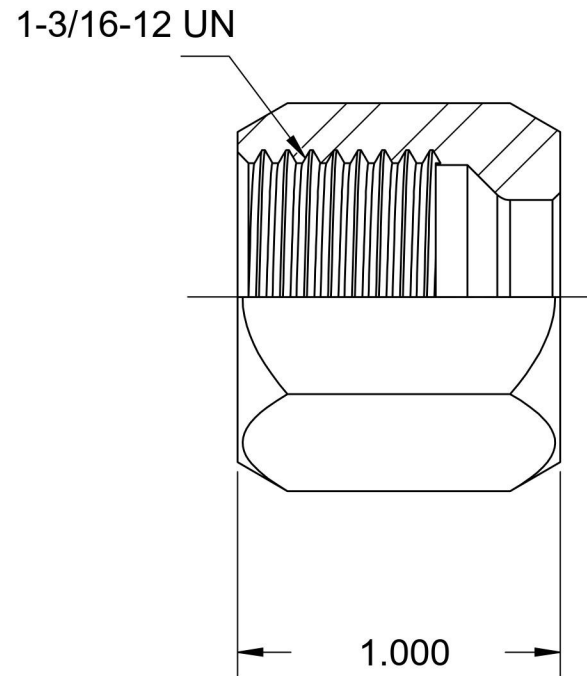
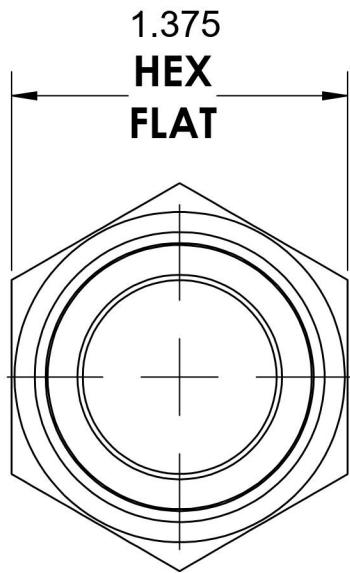


C0318-14

Steel, SAE J514 Flareless Tube Nut, 7/8" Flareless Bite Type Nut



6701 Cochran Road
Solon, Ohio 44139
Phone: (440) 248-1880
Toll Free: 1-888-331-1523

Temperature Rating	Material	Industry Standards	Series
-65°F to 500°F	C1045 Steel	SAE J514, ASTM B633	C0318
Pressure Rating	Finish		Series Description
Not Applicable	Trivalent Zinc		SAE J514 Flareless Tube Nut