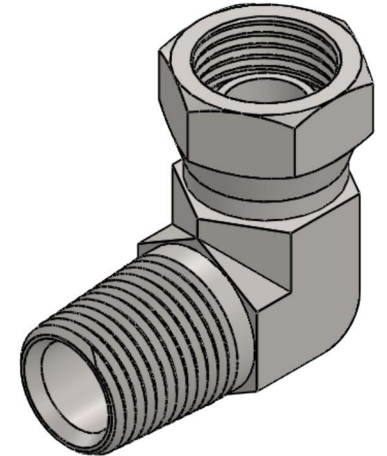
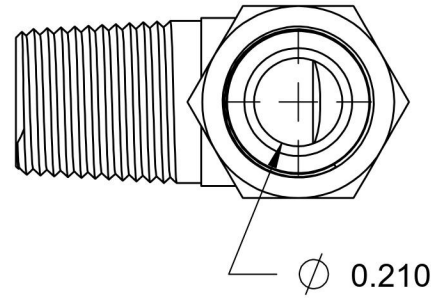
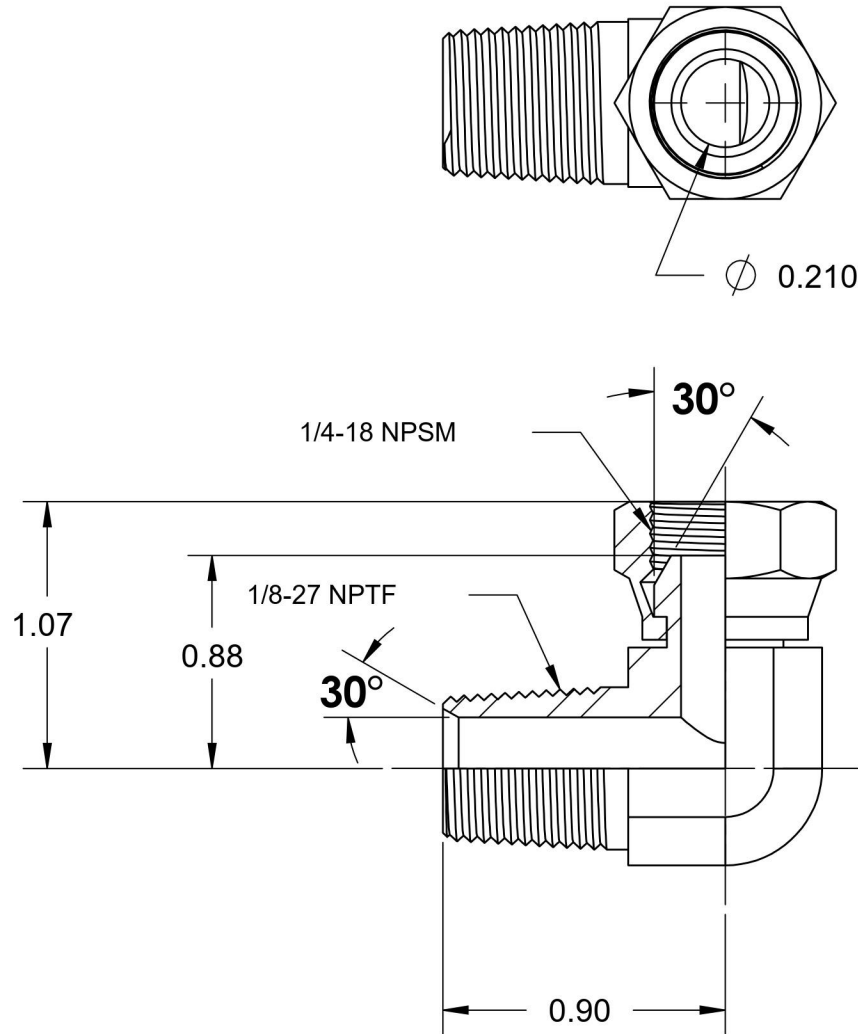
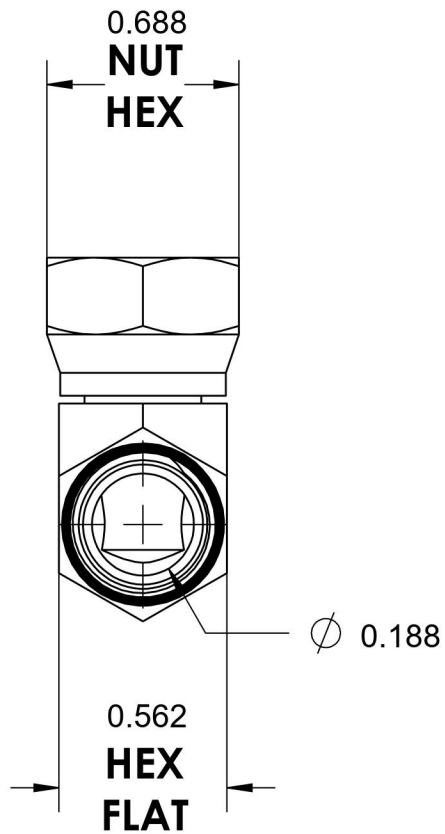


1501-02-04-SS

Stainless Steel, SAE J514 NPSM Swivel 90° Male Elbow, 1/8" Male NPTF 30° x 1/4" Female NPSM Swivel



6701 Cochran Road
Solon, Ohio 44139
Phone: (440) 248-1880
Toll Free: 1-888-331-1523

Temperature Rating

-425°F to 1200°F

Pressure Rating

6000 psi

Material

316/316L Stainless Steel

Finish

Passivated

Industry Standards

SAE J514, SAE J476

Series

1501-SS

Series Description

SAE J514 NPSM Swivel
90° Male Elbow