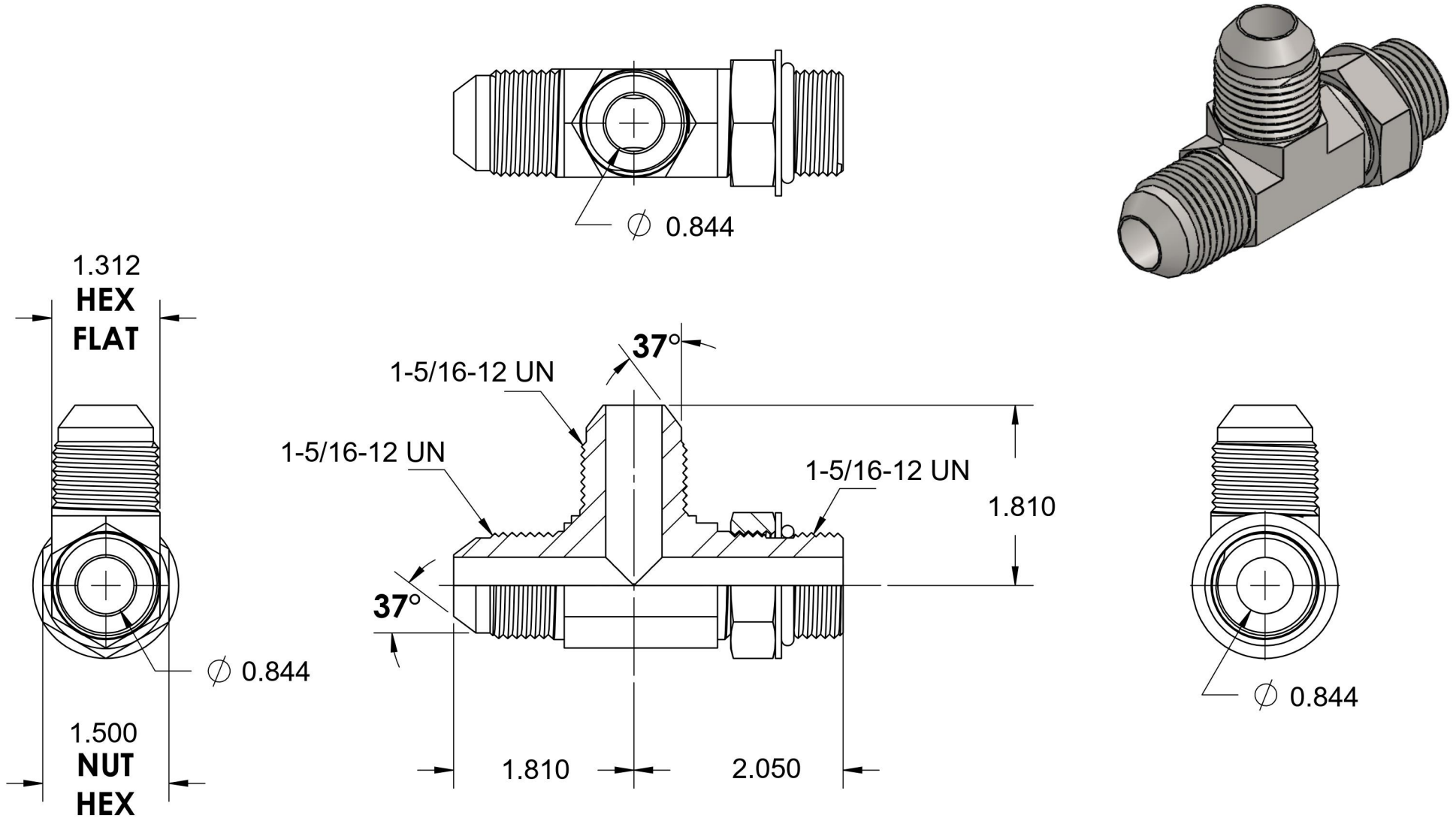


# 6804-16-16-16-NWO-FG-VITON

Steel, SAE J514 37° Flare Adjustable Port Run Tee, 1" Male JIC x 1-5/16-12 Male Adjustable ORB x 1" Male JIC, FKM Seal



6701 Cochran Road  
Solon, Ohio 44139  
Phone: (440) 248-1880  
Toll Free: 1-888-331-1523

**Temperature Rating**

-15°F to 400°F

**Pressure Rating**

4000 psi

**Material**

C1045 Steel

**Finish**

Trivalent Zinc

**Industry Standards**

SAE J514, SAE J1926-3  
SAE J515, ASTM B633

**Series**

6804-NWO-FG-VITON

**Series Description**

SAE J514 37° Flare  
Adjustable Port Run Tee