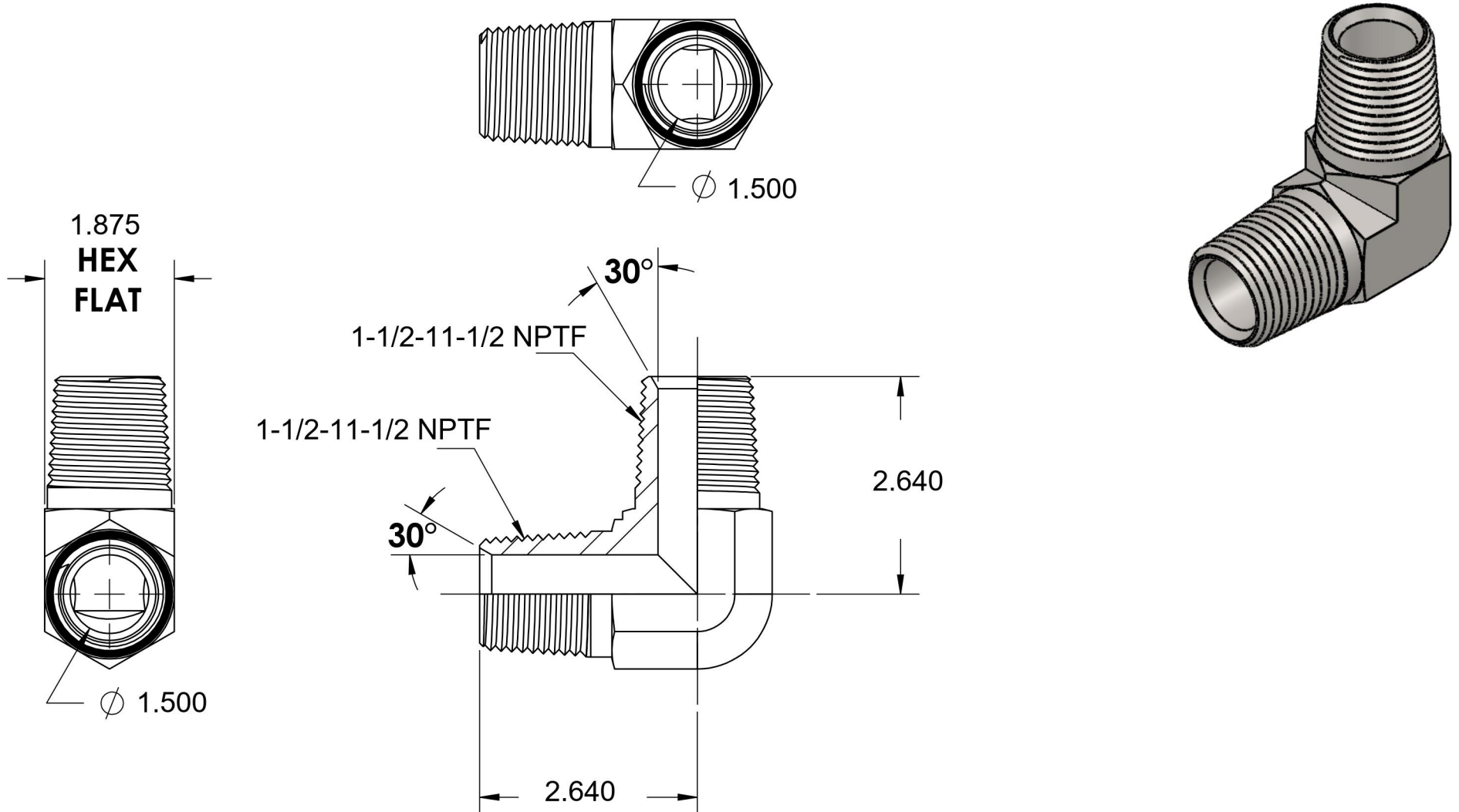


# 5500-24-24-FG

Steel, SAE J514 Pipe 90° Male Elbow, 1-1/2" Male NPTF 30° x 1-1/2" Male NPTF 30°



6701 Cochran Road  
Solon, Ohio 44139  
Phone: (440) 248-1880  
Toll Free: 1-888-331-1523

<b>Temperature Rating</b> -65°F to 500°F	<b>Material</b> C1045 Steel	<b>Industry Standards</b> SAE J514 , SAE J476 ASTM B633	<b>Series</b> 5500-FG
<b>Pressure Rating</b> 2500 psi	<b>Finish</b> Trivalent Zinc		<b>Series Description</b> SAE J514 Pipe 90° Male Elbow