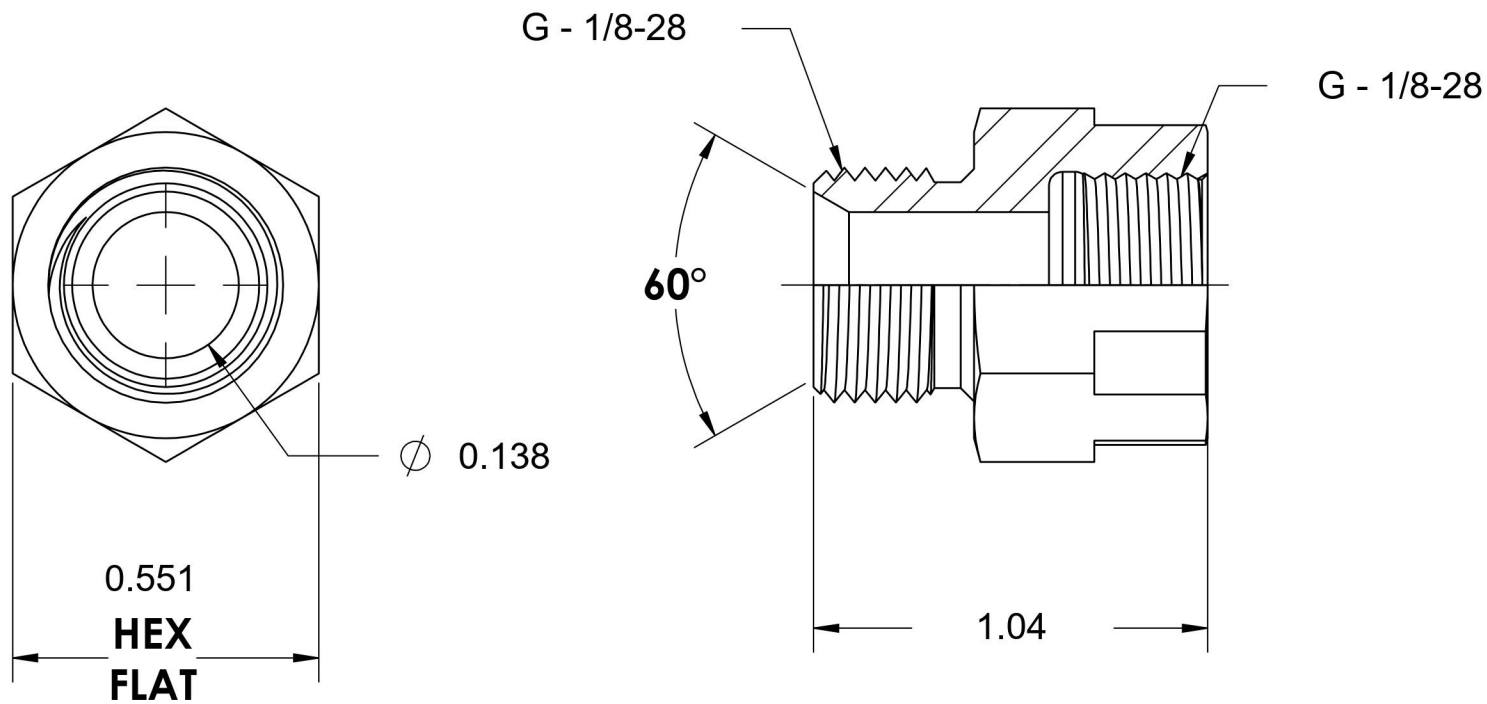
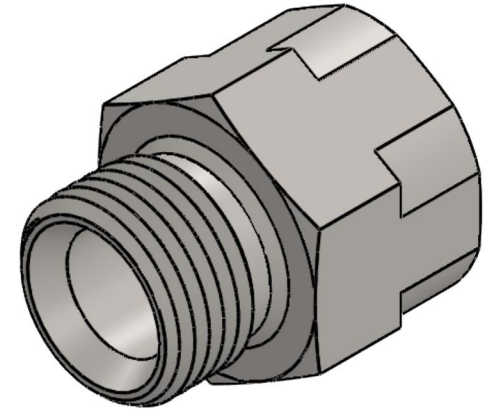


7017-02-02

Steel, ISO 1179 Female BSPP Gauge Port Connector, 1/8-28 Male BSPP 60° Line/Port x 1/8-28 Female BSPP Gauge Port



6701 Cochran Road
Solon, Ohio 44139
Phone: (440) 248-1880
Toll Free: 1-888-331-1523

Temperature Rating	Material	Industry Standards	Series
-65°F to 500°F	C1045 / 12L14 Steel	ISO 1179, ISO 8434-6	7017
Pressure Rating	Finish	DIN 3852-2 ASTM B633	Series Description
5100 psi	Trivalent Zinc		ISO 1179 Female BSPP Gauge Port Connector