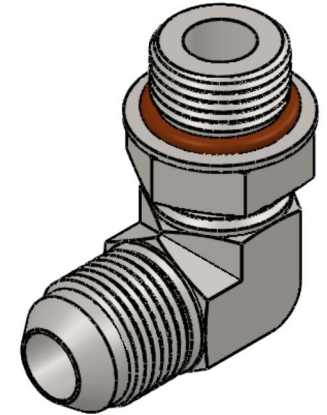
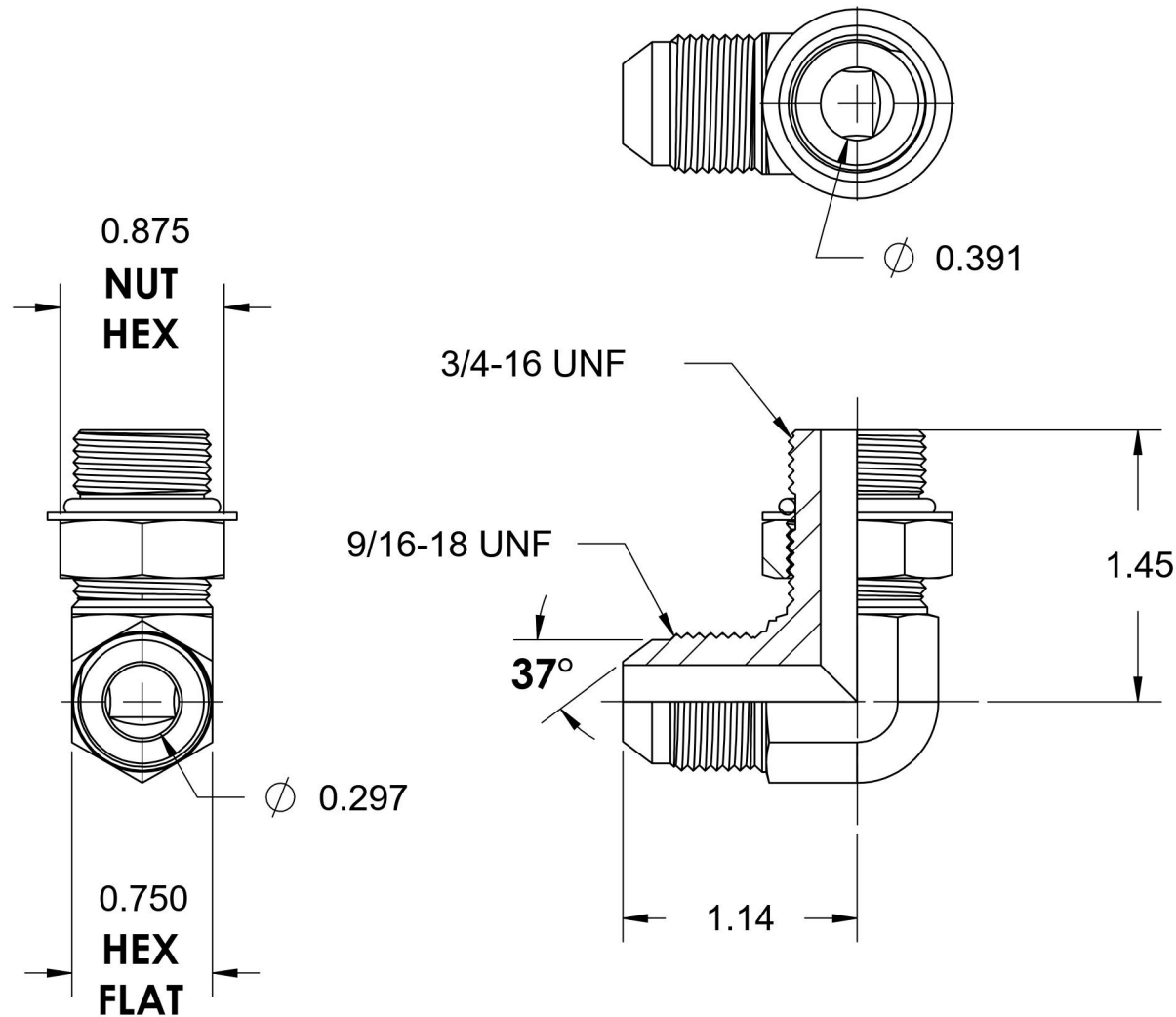


6801-06-08-NWO-SS-VITON

Stainless Steel, SAE J514 37° Flare 90° Adjustable Port Elbow, 3/8" Male JIC x 3/4-16 Male Adjustable ORB, FKM Seal



6701 Cochran Road
Solon, Ohio 44139
Phone: (440) 248-1880
Toll Free: 1-888-331-1523

Temperature Rating -15°F / 400°F	Material 316/316L Stainless Steel	Industry Standards SAE J514, SAE J1926-3	Series 6801-NWO-SS-VITON
Pressure Rating 5400 psi	Finish Passivated		Series Description SAE J514 37° Flare 90° Adjustable Port Elbow