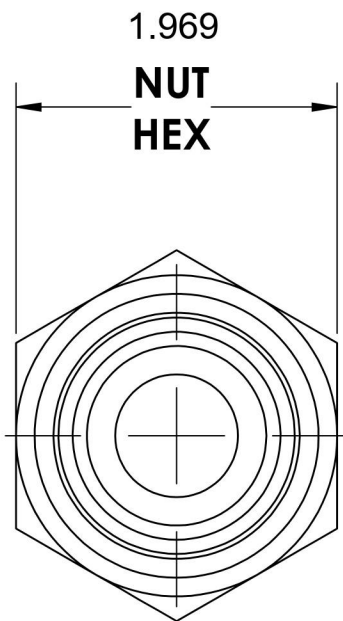
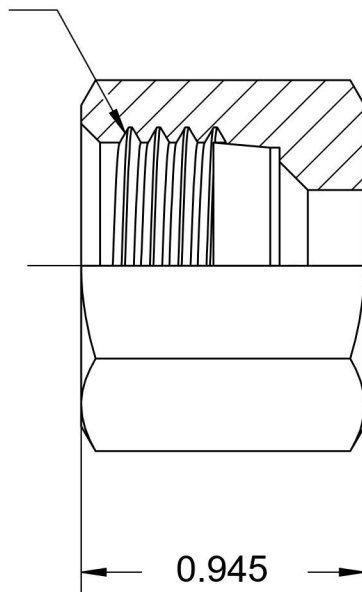


D0318-L35-SS

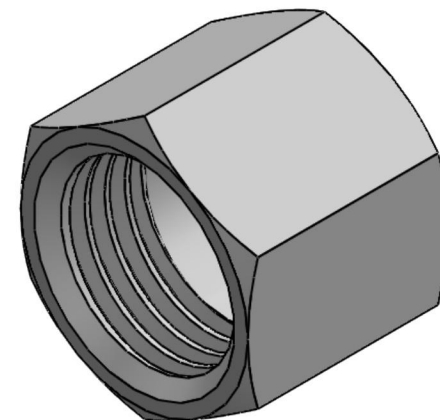
Stainless Steel, DIN 2353 Tube Nut, Light 35mm Tube OD



M45x2



TUBE OD 35mm



6701 Cochran Road
Solon, Ohio 44139
Phone: (440) 248-1880
Toll Free: 1-888-331-1523

Temperature Rating

-425°F to 1200°F

Pressure Rating

3626psi

Material

316Ti Stainless

Finish

Passivation

Industry Standards

DIN 2353, ISO 8434-1

Series

D0318

Series Description

DIN 2353 Flareless Tube Nut