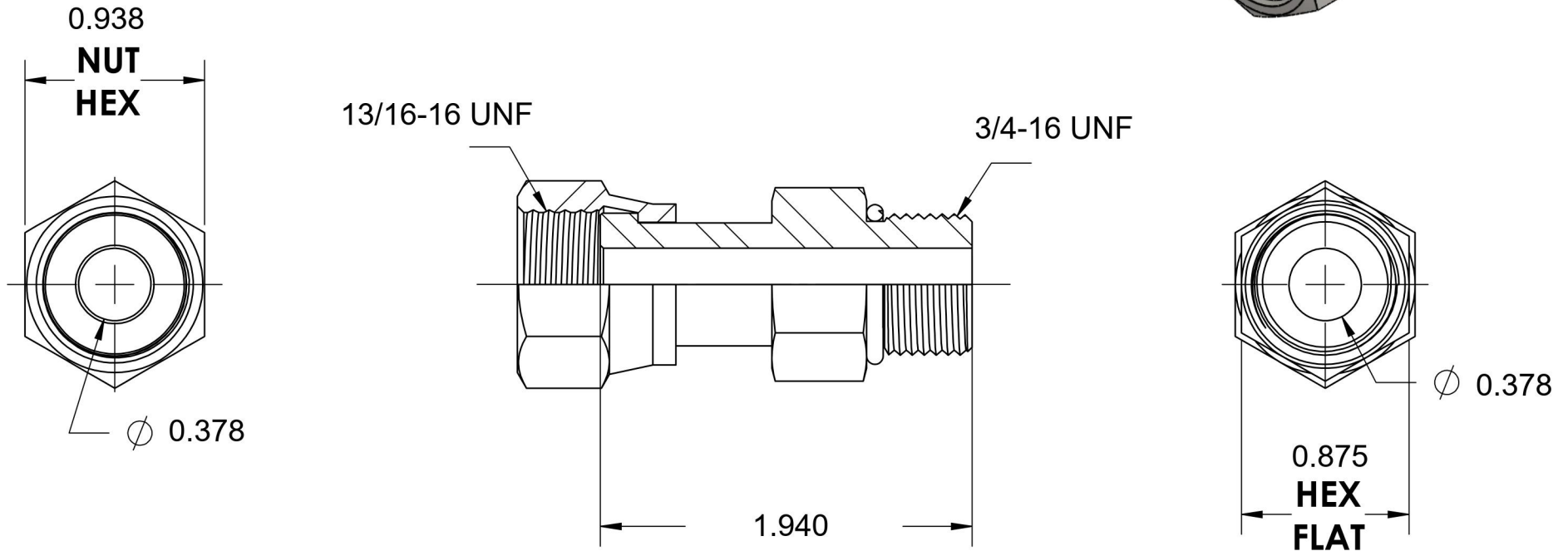
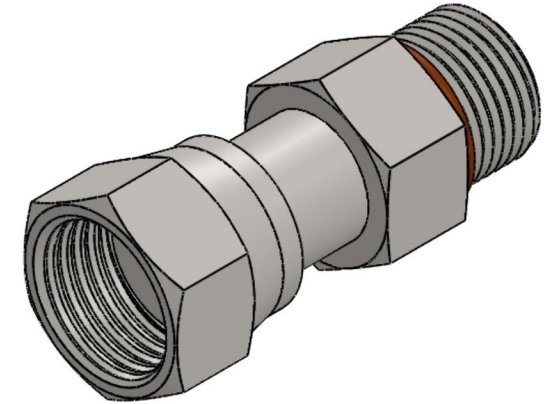


FS6540-08-08-O-VITON

Steel, SAE J1453 O-Ring Face Seal Swivel Port Connector, 1/2" Female ORFS Swivel x 3/4-16 Male ORB, FKM Seal



6701 Cochran Road
Solon, Ohio 44139
Phone: (440) 248-1880
Toll Free: 1-888-331-1523

Temperature Rating	Material	Industry Standards	Series
-15°F to 400°F	C1045/12L14 Steel	SAE J1453, SAE J1926-2 SAE J515, ASTM B633	FS6540-O-VITON
Pressure Rating	Finish		Series Description
9200 psi	Trivalent Zinc		SAE J1453 O-Ring Face Seal Swivel Port Connector