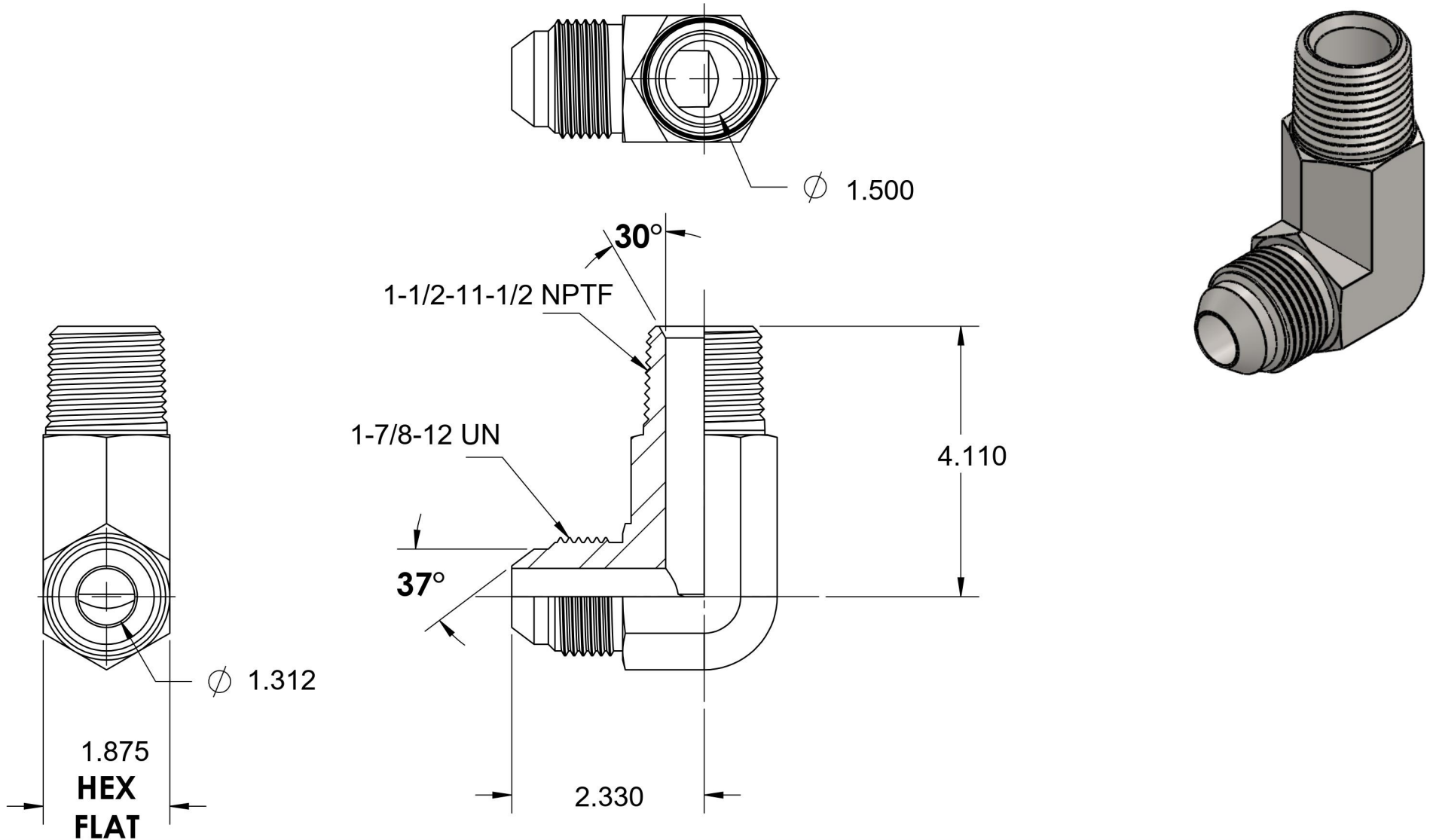


2501-L-24-24-SS

Stainless Steel, SAE J514 37° Flare 90° Long Male Elbow, 1-1/2" Male JIC x 1-1/2" Male NPTF 30°



6701 Cochran Road
Solon, Ohio 44139
Phone: (440) 248-1880
Toll Free: 1-888-331-1523

| | | | |
|---------------------------|--------------------|---------------------------|---|
| Temperature Rating | Material | Industry Standards | Series |
| -425°F to 1200°F | 316/316L Stainless | SAE J514 , SAE J476 | 2501-L-FG |
| Pressure Rating | Finish | | Series Description |
| 2500psi | Passivation | | SAE J514 37° Flare 90° Long Male Elbow |