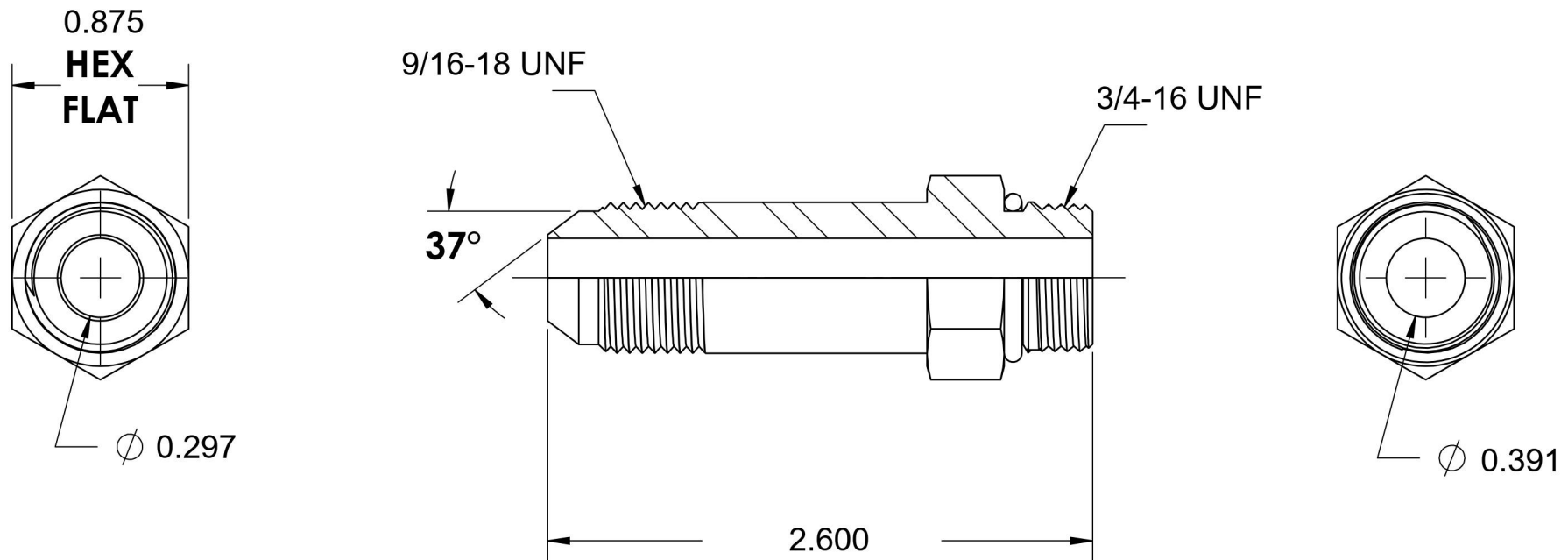
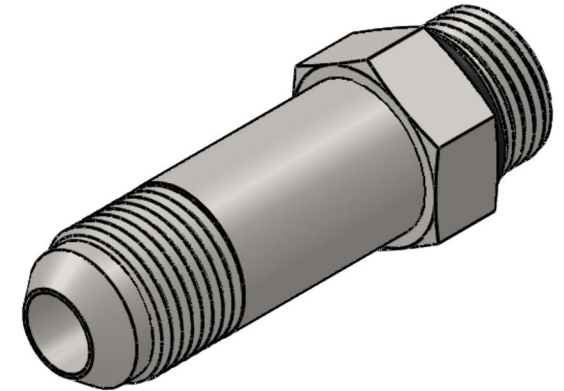


6400-L-06-08-O

Steel, SAE J514 37° Flare Long Port Connector, 3/8" Male JIC x 3/4-16 Male ORB



6701 Cochran Road
Solon, Ohio 44139
Phone: (440) 248-1880
Toll Free: 1-888-331-1523

| | | | |
|---|--------------------------------------|---|--|
| Temperature Rating -40°F to 250°F | Material C1045/12L14 Steel | Industry Standards SAE J514, SAE J1926-3 SAE J515, ASTM B633 | Series 6400-L-O |
| Pressure Rating 6000 psi | Finish Trivalent Zinc | | Series Description SAE J514 37° Flare Long Port Connector |