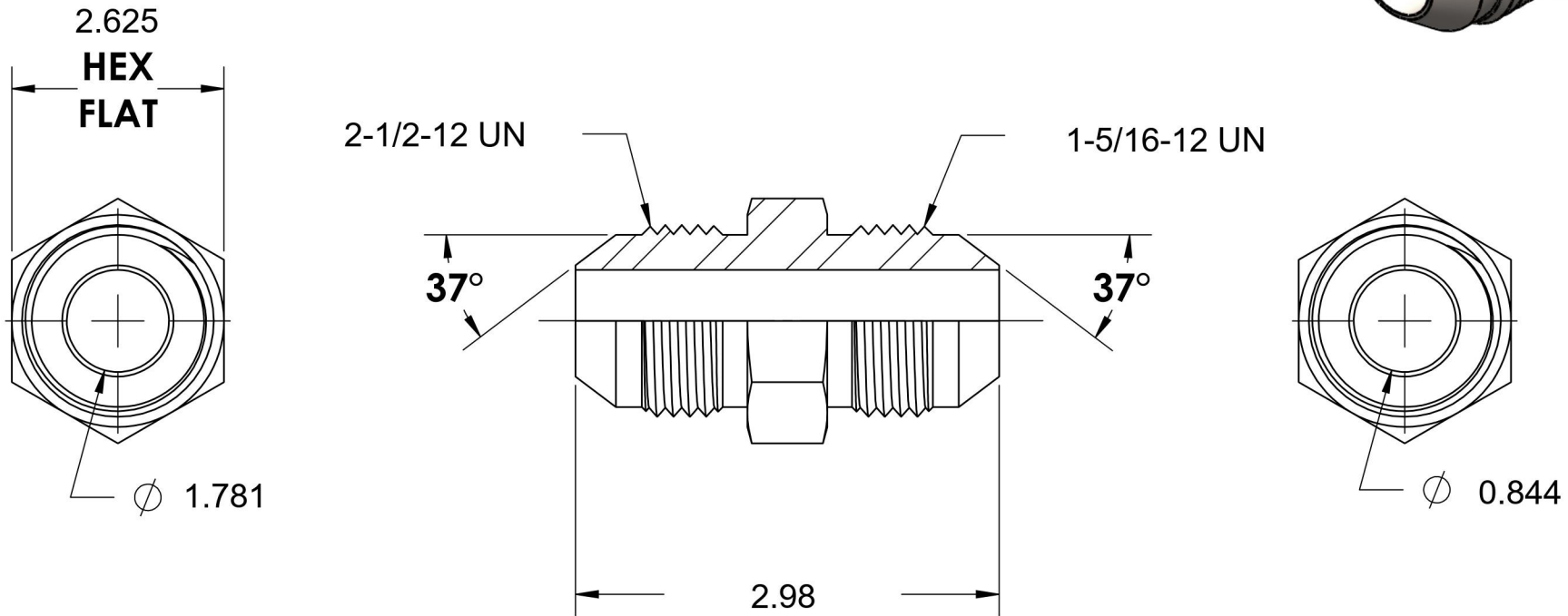


# 2403-32-16-SS

Stainless Steel, SAE J514 37° Flare Union, 2" Male JIC x 1" Male JIC



6701 Cochran Road  
Solon, Ohio 44139  
Phone: (440) 248-1880  
Toll Free: 1-888-331-1523

**Temperature Rating**

-425°F to 1200°F

**Pressure Rating**

2400 psi

**Material**

316/316L Stainless Steel

**Finish**

Passivated

**Industry Standards**

SAE J514

**Series**

2403-SS

**Series Description**

SAE J514 37° Flare Union