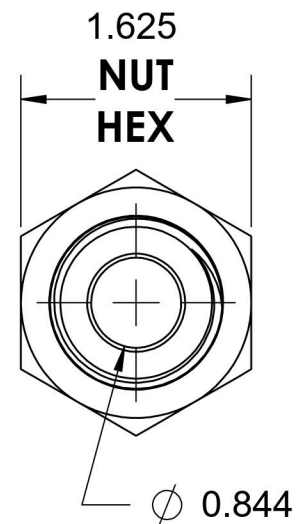
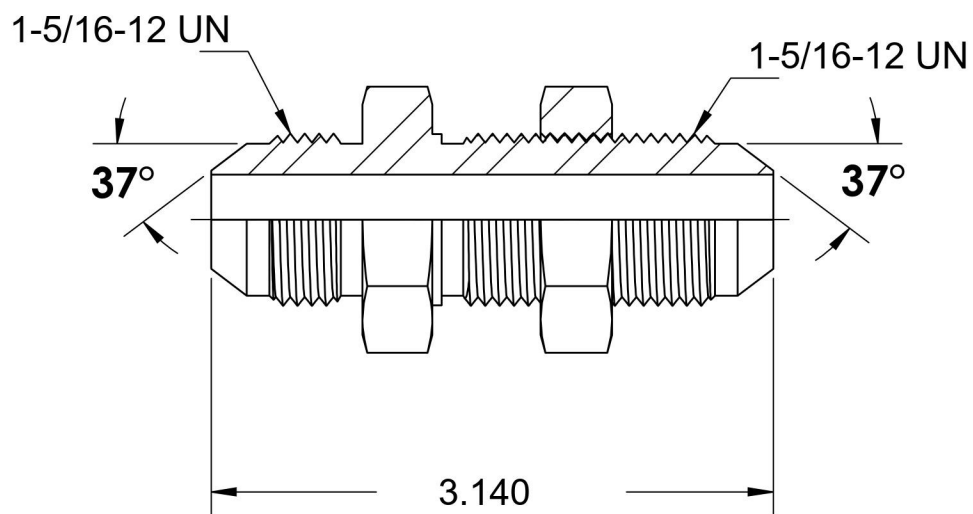
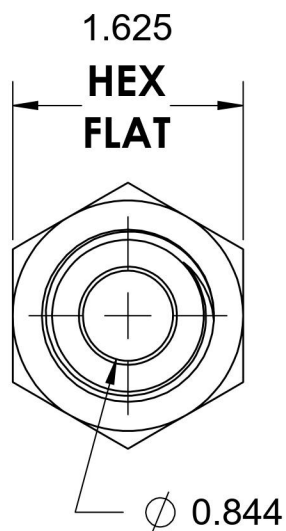
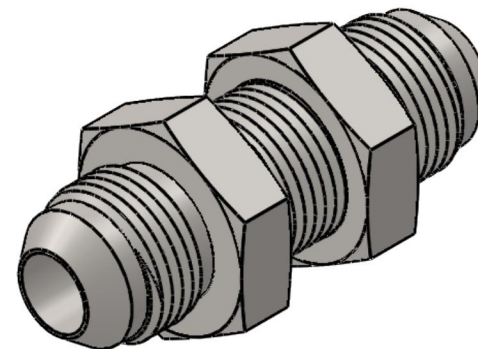


2700-LN-16-16

Steel, SAE J514 37° Flare Bulkhead With Lock Nut, 1" Male JIC x 1" Male JIC



6701 Cochran Road
Solon, Ohio 44139
Phone: (440) 248-1880
Toll Free: 1-888-331-1523

Temperature Rating	Material	Industry Standards	Series
-65°F to 500°F	C1045/12L14 Steel	SAE J514, ASTM B633	2700-LN
Pressure Rating	Finish		Series Description
4500 psi	Trivalent Zinc		SAE J514 37° Flare Bulkhead With Lock Nut