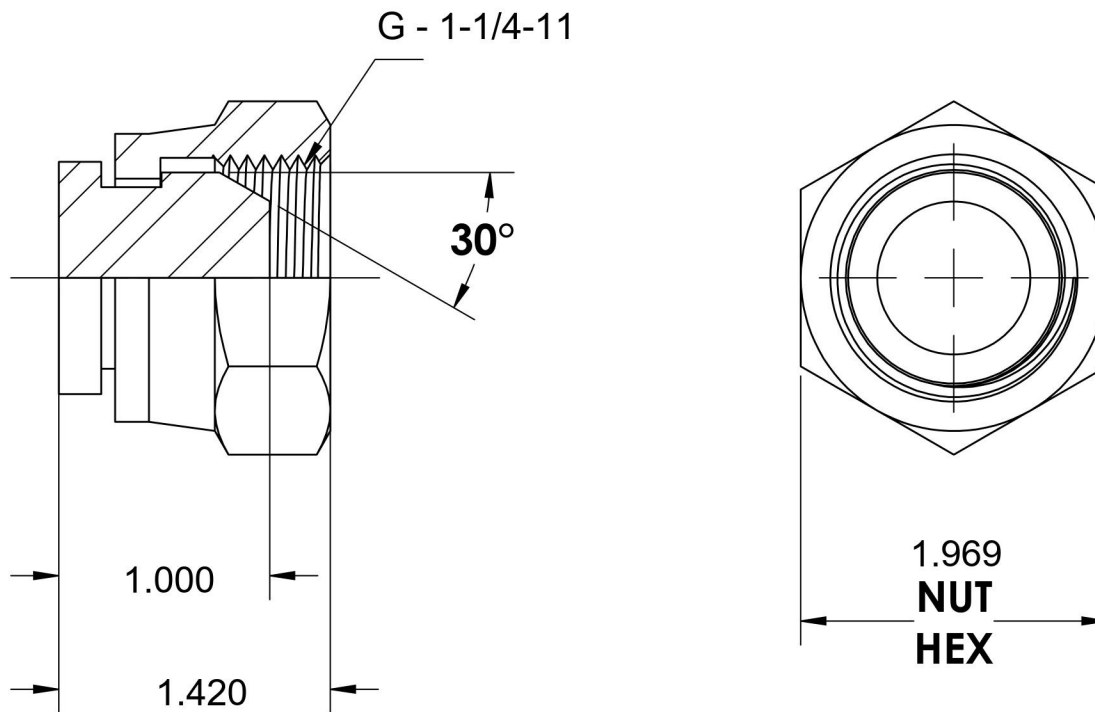
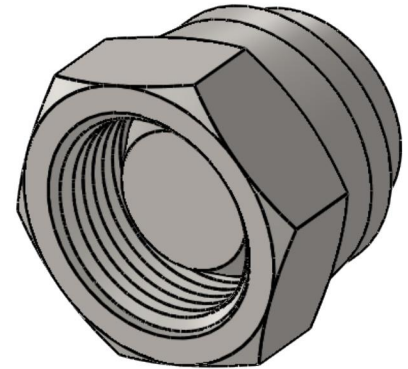


# 9644-C-20-SS

Stainless Steel, ISO 8434-6 60° Cone BSPP Swivel Cap, 1-1/4" Female BSPP Swivel



6701 Cochran Road  
Solon, Ohio 44139  
Phone: (440) 248-1880  
Toll Free: 1-888-331-1523

|   |   |   |   |
|---|---|---|---|
| <b>Temperature Rating</b><br>-425°F to 1200°F | <b>Material</b><br>316/316L Stainless Steel | <b>Industry Standards</b><br>ISO 8434-6 | <b>Series</b><br>9644-C-SS  |
| <b>Pressure Rating</b><br>1500 psi            | <b>Finish</b><br>Passivated                 |   | <b>Series Description</b><br>ISO 8434-6 60° Cone<br>BSPP Swivel Cap |