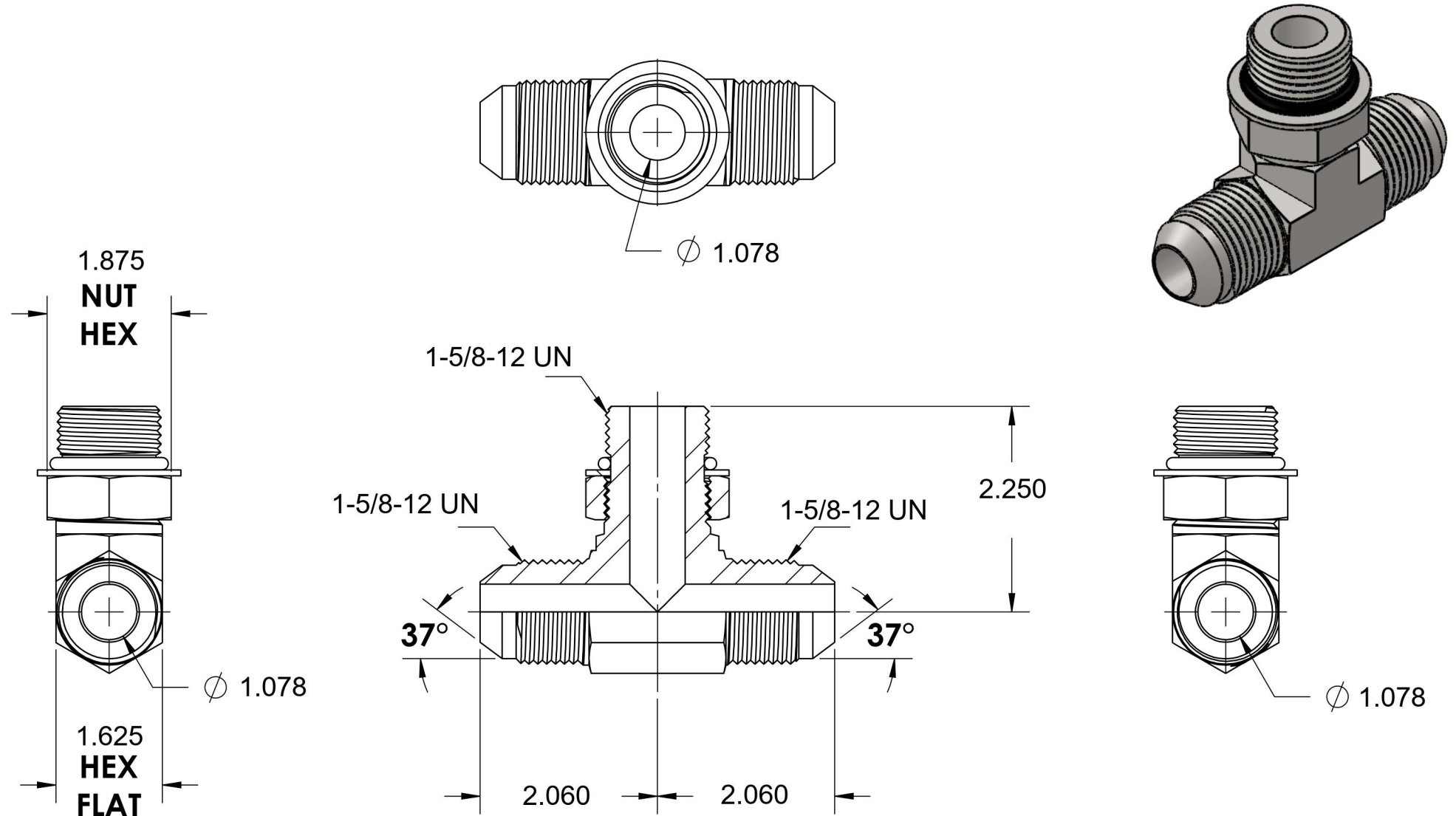


# 6803-20-20-20-NWO-FG

Steel, SAE J514 37° Flare Adjustable Port Branch Tee, 1-1/4" Male JIC x 1-1/4" Male JIC x 1-5/8-12 Male Adjustable ORB



6701 Cochran Road  
Solon, Ohio 44139  
Phone: (440) 248-1880  
Toll Free: 1-888-331-1523

**Temperature Rating**

-40°F to 250°F

**Pressure Rating**

3000 psi

**Material**

C1045 Steel

**Finish**

Trivalent Zinc

**Industry Standards**

SAE J514, SAE J1926-3  
SAE J515, ASTM B633

**Series**

6803-NWO-FG

**Series Description**

SAE J514 37° Flare Adjustable  
Port Branch Tee